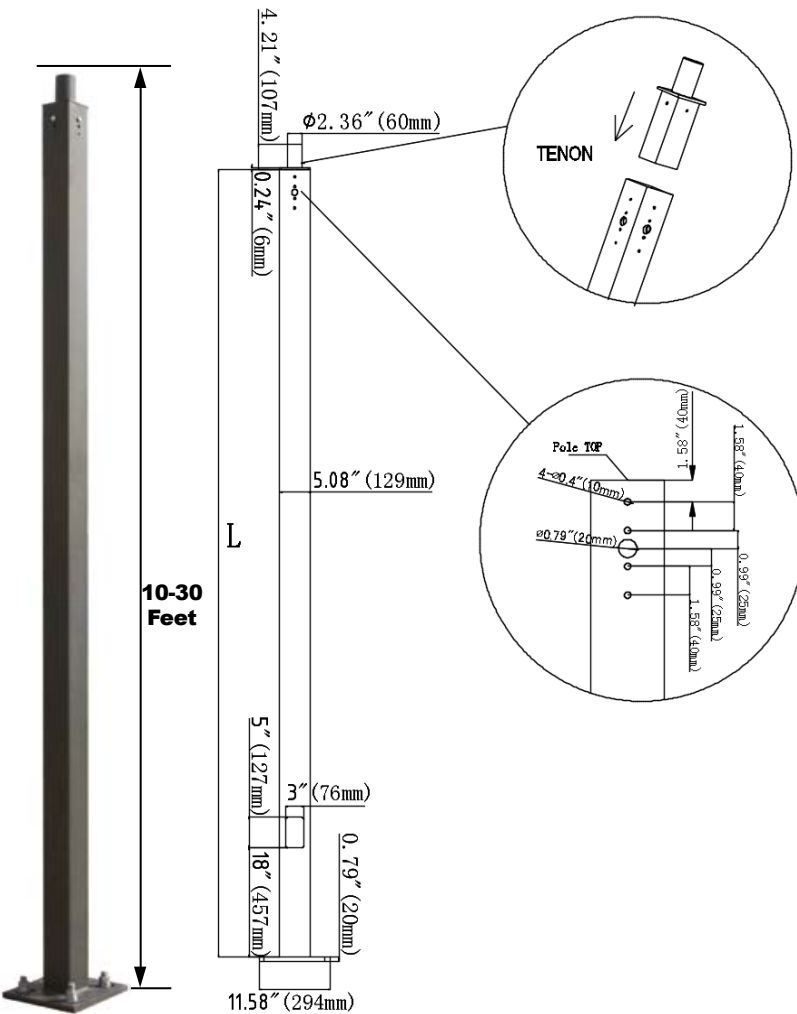


Straight Square Steel Poles, 4" & 5"



The EcoMax Series Straight Square Steel poles are built from high strength steel tube and are available side drilled for arm mounted area lighting luminaires or with tenon mounts for flood and post top luminaires. Typical area lighting applications include retail centers, industrial parks, schools and universities, public transit and airports, office buildings and medical facilities. Mounting heights of 10 to 30 feet can be used based on selected luminaire application.

Specifications and Features: Pole

Specifications:

Conforms to ASTM-A 500 Grade B: Minimum Yield Strength of 46,000 PSI.

Finish:

Textured Architectural Bronze Powdercoat Finish, Baked to Ensure Maximum Paint Adhesion, Hardness and Durability.

Anchor Bolts:

Anchor Bolts are Included, Sized Based on Pole Data Charts for the Selected Pole Size.

Hand Hole:

Cast Iron Reinforced Hand Hole and Cover with Ground Screw.

Base Cover:

Poles are Provided With a Two-Piece Formed Steel Base Cover that is Easily Assembled and Fitted Over Pole Base.

Pole Length:

Poles are Available in Standard Lengths as Shown in the Order Matrix. Poles can be Custom Cut to Order. Consult Factory.

Mounting Options:

Standard Length Poles Include 2 3/8" OD Tenon, Side Drilled 4@90 Degrees, Polycarbonate Top Cover and Hole Plugs for Unused Drilling Locations.

Cut To Order Poles can be Side Drilled for 2@180 Degrees or 4@90 Degrees, Includes Polycarbonate Top Cover and Hole Plugs for Unused Drilling Locations.

Cut To Order Poles May Also Be Ordered With 2 3/8" OD Tenons for Use With Post Top Decorative Luminaires, Flood/Area Slip Fitter Fixtures, or Any of a Wide Variety of Pole Top Mounting Accessories.

Our standard equipment is to make a top adapter with 2.5 inches. There is no opening on the top of the light pole. If ARM installation is needed, the top adapter shall be removed and holes shall be opened on the wall of the light pole. Finally, seal the top with a plastic rain cover.

4inch Flange dimensions	5inch Flange dimensions	Flange base cover size	Screw positioning plate size	The screw size

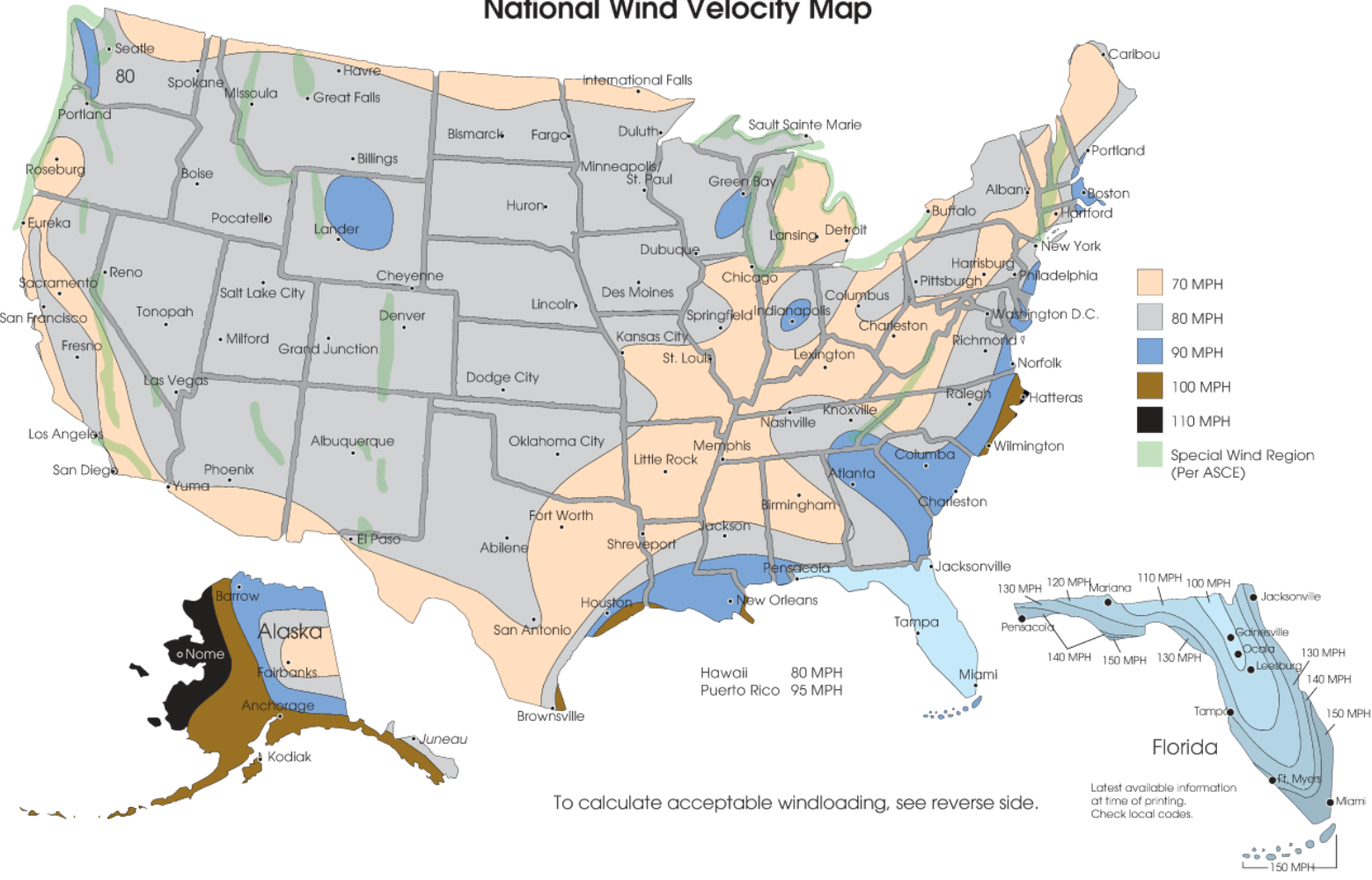
Specifications:

Specification type	10FT	15FT	20FT	25FT	30FT
WSD-10FT4-11G-D-T	L=3.0 (m)	L=4.6 (m)	L=6.1 (m)	L=7.6 (m)	L=9.1 (m)
WSD-15FT4-11G-D-T					
WSD-20FT4-11G-D-T					
WSD-25FT4-11G-D-T					
WSD-30FT5-11G-D-T					

Dimension data:

Catalog #	Mt. height	Wall thickness	Shaft size	Base size	Bolt circle	Bolt projection	Bolt size	Pole weight	EPA 70	EPA 80	EPA 90	EPA 100	EPA 110	EPA 120
WSD-10FT4-11G-D-T	10 ft.	11 gauge	4x4 in.	11 in.	8-11 in.	2.75 in.	3/4x17x3in.	88 lbs.	25.2	20.5	17.1	11.4	10.3	9.6
WSD-15FT4-11G-D-T	15 ft.	11 gauge	4x4 in.	11 in.	8-11 in.	2.75 in.	3/4x17x3in.	117 lbs.	15.2	12.5	10.1	8.5	6.9	5.4
WSD-20FT4-11G-D-T	20 ft.	11 gauge	4x4 in.	11 in.	8-11 in.	2.75 in.	3/4x17x3in.	152 lbs.	9.2	7.3	6	4.2	3	1.6
WSD-25FT4-11G-D-T	25 ft.	11 gauge	4x4 in.	11 in.	8-11 in.	2.75 in.	3/4x17x3in.	190 lbs.	8.9	6.9	5.7	4.1	3.6	2.2
WSD-30FT5-11G-D-T	30 ft.	11 gauge	5x5 in.	11 in.	10-12 in.	3.375 in.	3/4x17x4in.	267 lbs.	7.2	5.4	4.1	3.8	2.8	1.2

National Wind Velocity Map



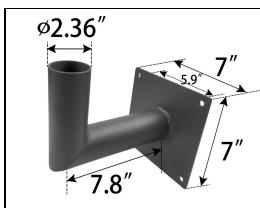
To calculate acceptable windloading, see reverse side.

POLE BRACKET • For mounting one fixture on an existing pole

	<p>4" Square Pole Mount with 2-3/8" O.D. Tenon NO. WSD-VTS4-D Finish: Dark Bronze MAX EPA: 0.3 USE: For use with square, non-tapered steel and aluminum poles. Furnished with four 5/16" hex head stainless-steel bolts. Vertical tenon measures 2-3/8" O.D., and is made of steel tubing.</p> <p>adjusted both vertically and horizontally.</p>		<p>3" Round Pole Mount with 2-3/8" O.D. Tenon NO. WSD-VT3-D Finish: Dark Bronze MAX EPA: 0.3 USE: For use with Round, non-tapered steel and aluminum poles. Furnished with three 3/8" hex head stainless-steel bolts. Vertical tenon measures 2-3/8" O.D., and is made of steel tubing. Fixtures mounted to this bracket can be adjusted both vertically and horizontally.</p>
	<p>5" Square Pole Mount with 2-3/8" O.D. Tenon NO. WSD-VTS5-D Finish: Dark Bronze MAX EPA: 0.3 USE: For use with square, non-tapered steel and aluminum poles. Furnished with four 5/16" hex head stainless-steel bolts. Vertical tenon measures 2-3/8" O.D., and is made of steel tubing. Fixtures mounted to this bracket can be adjusted both vertically and horizontally.</p>		<p>4" Round Pole Mount with 2-3/8" O.D. Tenon NO. WSD-VT4-D Finish: Dark Bronze MAX EPA: 0.3 USE: For use with Round, non-tapered steel and aluminum poles. Furnished with three 3/8" hex head stainless-steel bolts. Vertical tenon measures 2-3/8" O.D., and is made of steel tubing. Fixtures mounted to this bracket can be adjusted both vertically and horizontally.</p>

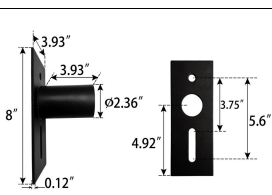
WALL BRACKET

- Attaches to any flat surface
- Provides wiring access



90° Wall Mount Bracket with 2-3/8" O.D. Tenon
 NO. WSD-ADP2.5-90-D
 Finish: Dark Bronze
 MAX EPA: 0.6
 USE: The 90° wall mount bracket with 2-3/8" tenon attaches flood and area fixtures to almost any surface: wall, roof, or wood pole. Provides wiring access and a built-in 2-3/8" O.D. tenon to mount a fixture with our adjustable slip-fitter. Suggested 3/8" diameter bolts for mounting. Mounting holes are spaced 3-1/4" apart.

MID-POLE TENON BRACKET



2-3/8" OD Horizontal Tenon Mid-Pole Bracket
 NO. WSD-ADP2.5-D
 Finish: Dark Bronze
 MAX EPA: 0.3
 USE: 2-3/8" OD Horizontal Tenon Mid-Pole Bracket is designed to mount light fixture that is equipped with an adjustable slip-fitter onto a 2-3/8" OD horizontal tenon.

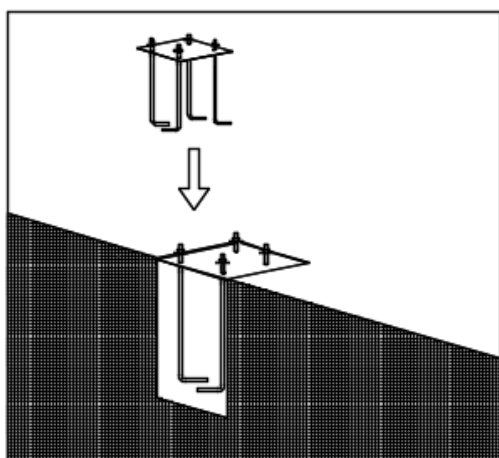
ROUND EXTERNAL MOUNT HORIZONTAL TENON • To mount 2/3/4 fixtures on an existing pole

	<p>Double 90° Horizontal Tenon Adaptor NO. WSD-SB2.5TW90-D Finish: Dark Bronze MAX EPA: 0.6 USE: The Bracket is designed to mount over 2-3/8" (60mm) O.D. vertical tenon. Two fixtures can be mounted to the Round External Mount Horizontal Tenon and adjusted horizontally.</p>		<p>Triple 120° Horizontal Tenon Adaptor NO. WSD-SB2.5TR120-D Finish: Dark Bronze MAX EPA: 0.7 USE: The Bracket is designed to mount over 2-3/8" (60mm) O.D. vertical tenon. Three fixtures can be mounted to the Round External Mount Horizontal Tenon and adjusted horizontally.</p>
	<p>Double 180° Horizontal Tenon Adaptor NO. WSD-SB2.5TW180-D Finish: Dark Bronze MAX EPA: 0.4 USE: The Bracket is designed to mount over 2-3/8" (60mm) O.D. vertical tenon. Two fixtures can be mounted to the Round External Mount Horizontal Tenon and adjusted horizontally.</p>		<p>Quad 90° Horizontal Tenon Adaptor NO. WSD-SB2.5QD90-D Finish: Dark Bronze MAX EPA: 1.0 USE: The Bracket is designed to mount over 2-3/8" (60mm) O.D. vertical tenon. Four fixtures can be mounted to the Round External Mount Horizontal Tenon and adjusted horizontally.</p>
	<p>Single Spoke Bracket Tenon Adaptor NO. WSD-SB2.5S-D Finish: Dark Bronze MAX EPA: 0.4 USE: The Bracket is designed to mount over 2-3/8" (60mm) O.D. vertical tenon. One fixture can be mounted to the Round External Mount Horizontal Tenon and adjusted horizontally.</p>		<p>Double 180° Horizontal Tenon Adaptor NO. WSD-RB2.5D180-D Finish: Dark Bronze MAX EPA: 0.9 USE: The Bracket is designed to mount over 2-3/8" (60mm) O.D. vertical tenon. Two fixtures can be mounted to the Round External Mount Horizontal Tenon and adjusted horizontally.</p>
	<p>Triple 180° Horizontal Tenon Adaptor NO. WSD-RB2.5TR180-D Finish: Dark Bronze MAX EPA: 1.4 USE: The Bracket is designed to mount over 2-3/8" (60mm) O.D. vertical tenon. Three fixtures can be mounted to the Round External Mount Horizontal Tenon and adjusted horizontally.</p>		<p>Quad 90° Horizontal Tenon Adaptor NO. WSD-RB2.5QD90-D Finish: Dark Bronze MAX EPA: 1.5 USE: The Bracket is designed to mount over 2-3/8" (60mm) O.D. vertical tenon. Four fixtures can be mounted to the Round External Mount Horizontal Tenon and adjusted horizontally.</p>
	<p>90° Wall Mount Bracket with 2-3/8" O.D. Tenon NO. WSD-ADP2.5-90H-D Finish: Dark Bronze MAX EPA: 0.7 USE: The 90° wall mount bracket with 2-3/8" tenon attaches flood and area fixtures to almost any surface: wall, roof, or wood pole. Provides wiring access and a built-in 2-3/8" O.D. tenon to mount a fixture with our adjustable slip-fitter. Suggested 3/8" diameter bolts for mounting. Mounting holes are spaced 3-1/4" apart.</p>		<p>Double 180° Horizontal Tenon Adaptor NO. WSD-RB2.5TR180H-D Finish: Dark Bronze MAX EPA: 1.0 USE: The Bracket is designed to mount over 2-3/8" (60mm) O.D. vertical tenon. Two fixtures can be mounted to the Round External Mount Horizontal Tenon and adjusted horizontally.</p>
	<p>Triple 120° Horizontal Tenon Adaptor NO. WSD-SB2.5TR120V-D Finish: Dark Bronze MAX EPA: 1.5 USE: The Bracket is designed to mount over 2-3/8" (60mm) O.D. vertical tenon. Three fixtures can be mounted to the Round External Mount Horizontal Tenon and adjusted horizontally.</p>		<p>Double 180° Wall Mount Bracket with 2-3/8" O.D. Tenon NO. WSD-ADP2.5-180H-D Finish: Dark Bronze MAX EPA: 1.4 USE: The 180° wall mount bracket with 2-3/8" tenon attaches flood and area fixtures to almost any surface: wall, roof, or wood pole. Provides wiring access and a built-in 2-3/8" O.D. tenon to mount a fixture with our adjustable slip-fitter. Suggested 3/8" diameter bolts for mounting. Mounting holes are spaced 3-1/4" apart.</p>

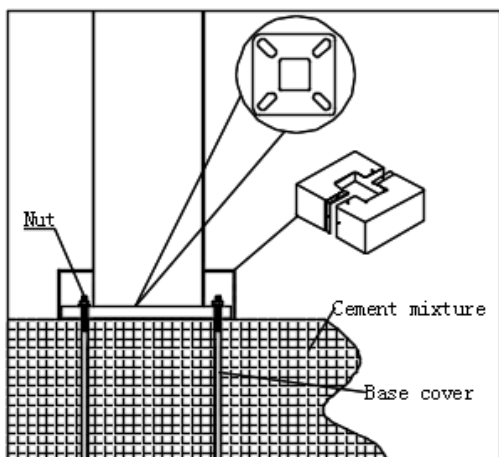
ORDERING EXAMPLE: WSD-10FT4-11G-D-T

WSD	10FT	4	11G	D	T
Company	Height	Size	Wall Thickness	Finish	Mounting
WISDOM	10FT (3.0M)				
	15FT (4.6M)				
	20FT (6.1M)	4 (4X4in.)			
	25FT (7.6M)	5 (5X5in.)	11 (11gauge)	D Dark Bronze	2.5 inch adapter
	30FT (9.1M)				

Installation



1. Dig a hole in the installation position of the lamp pole. Fixed four fastener fittings according to the hole position of lamp pole and poured with cement concrete. (as shown in the figure)



2. Align the four bolts of the lamp pole to the mounting hole of the lamp pole. After fixing the lamp pole with a nut, install a protective cover at the lower end of the lamp pole. (as shown in the figure)