

ECOMAX

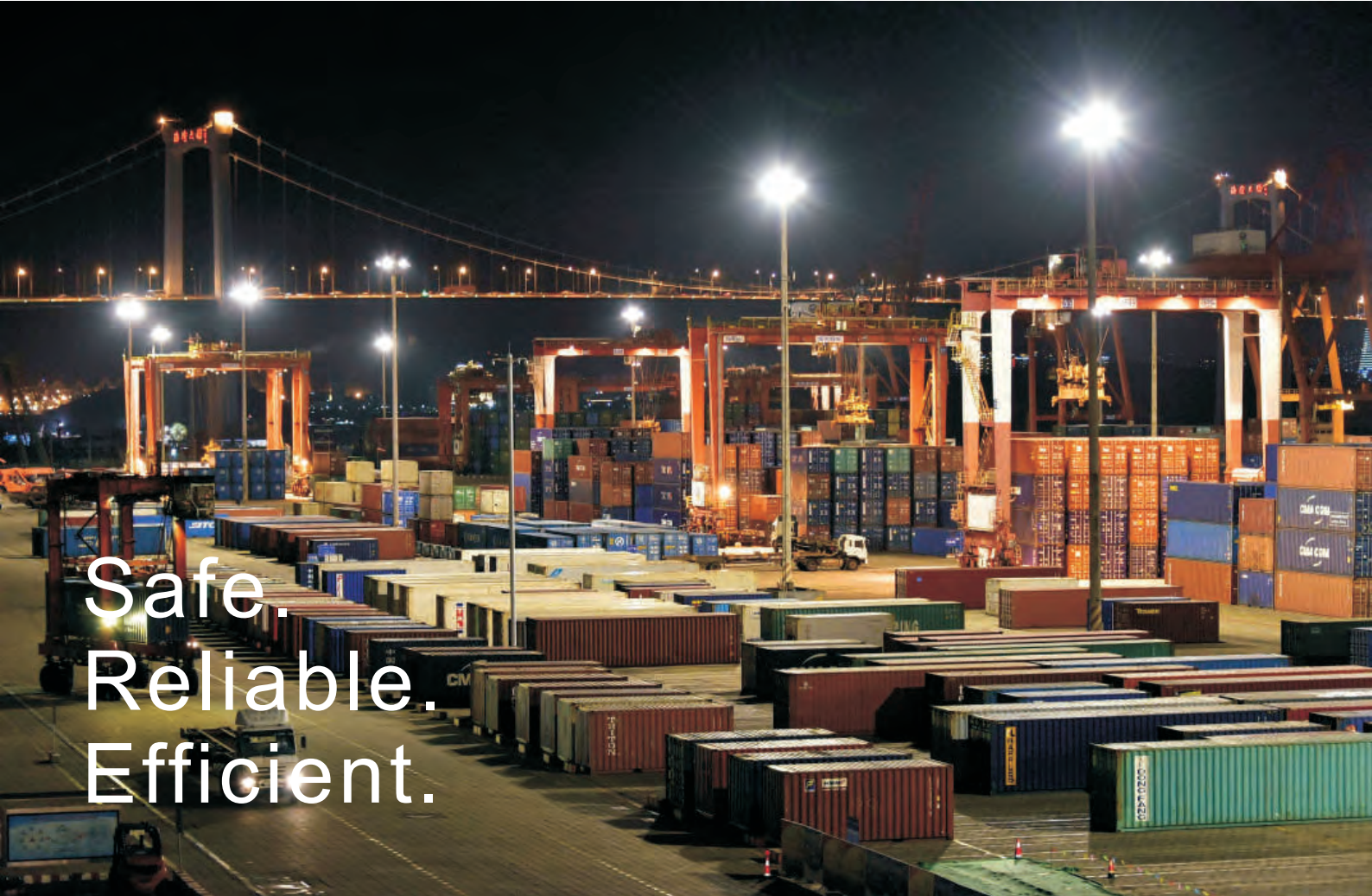
LIGHTING

HAZARDOUS LOCATIONS LIGHT SPECIFICATION



H Series



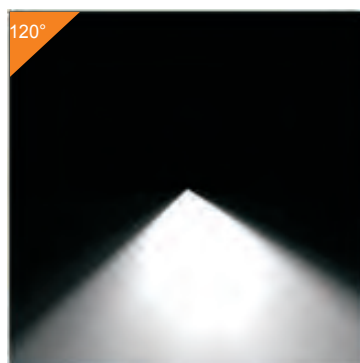
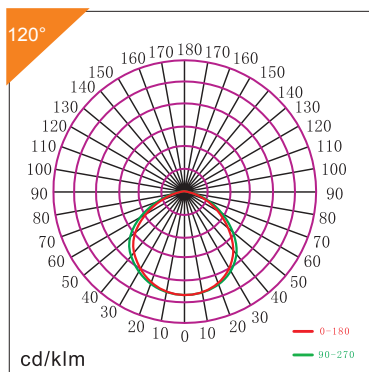


Applications

This luminaire can be used as flood light, wall pack and area light which can provide general illumination in hazardous locations, such as:

1. Oil refinery and Gas station
2. Oil and gasoline loading dock
3. Distillerie
4. Painting manufacturing plant
5. Pumping station
6. Mine
7. Vessel
8. Other high humidity, high temperature, dusty location

Professional Light Distribution



Typical model specification

Product Number	Wattage	Color	Voltage	Lumens	Working Hours	CRI
EX-10W H2YZDA	10	4000K-5700K	AC100-277V or AC200-480V	1400	5 years	70
EX-20W H2YZDA	20	4000K-5700K	AC100-277V or AC200-480V	2800	5 years	70
EX-40W H4YZDA	40	4000K-5700K	AC100-277V or AC200-480V	5600	5 years	70
EX-50W H4YZDA	50	4000K-5700K	AC100-277V or AC200-480V	7000	5 years	70

"H"=Product series "Y"=D or N:Dimmable or non-dimmable "Z"= CCT, from 4000~5700K "D"=Beam angle:120°

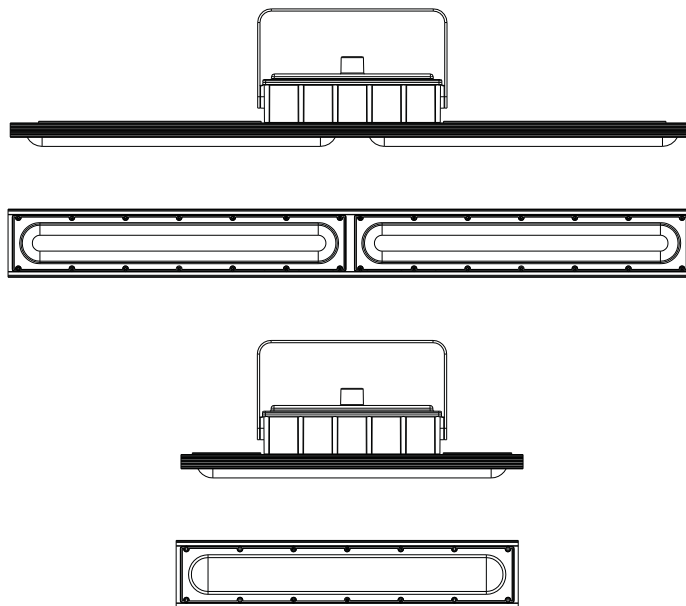
Features

- High efficacy: up to 140lm/W
- CRI>70
- Surface mounting and pendant installation
- Wide and narrow optics for uniform illumination
- Copper free aluminum
- High vibration resistance

Mechanical information

	Size (in)	Size (in)
AC100-277V models	24x4.7x9.5	47x4.7x9.5
AC200-480V models	24x4.7x9.5	47x4.7x9.5

Structure diagram



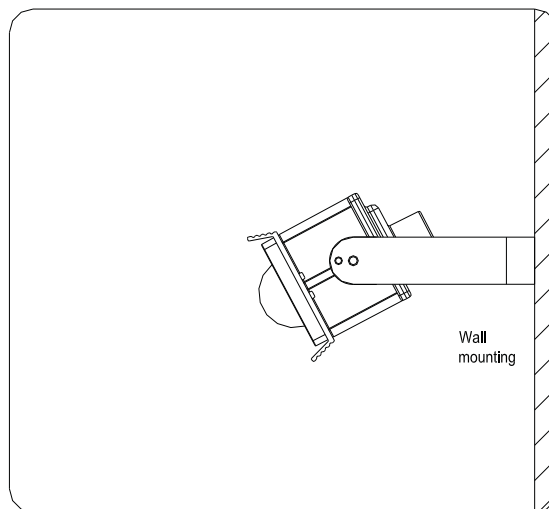
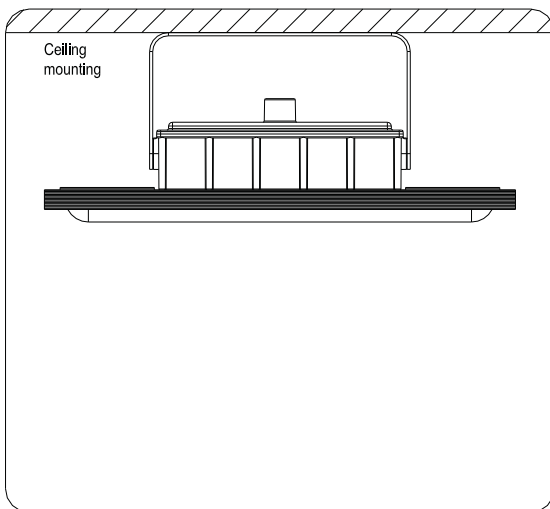
Mounting method

Explosion proof light can be surface and pendant mounted by bringing down a rigid conduit to the light fixture.

Mounting Option Note:

Pendant mounting option requires conduit be supplied by the installer.

Rectangle luminaire mounting



Warranty

Only offer 5 year's warranty or any other warranty period specified in the contract for the product from the date of purchase:

- Invoice or shipment bill is required to claim the warranty.
- The warranty policy only requires manufacturer to repair the defective product or send substitute for replacement.
- Installation labor, electricity cost and other related cost will not be covered by the manufacturer warranty policy.
- Warranty doesn't cover the defect caused by inappropriate use, especially if directions of the instructions for use are not observed, normal abrasion as well as failures which affect the value or use of the product insignificantly.