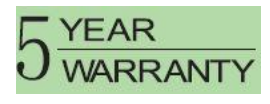


45W LED Slim Canopy Light

■ Product Features



- Lumileds LED, high luminous efficiency and long working life.
- High efficiency LED Driver, the wide range input voltage AC120-277V.
- Die cast aluminium cooling design, high quality and better cooling for LED $T_j < 85^\circ\text{C}$.
- Excellent Optics design, greatly improve the light utilization and evenness.
- **Motion Sensor Available (Option)**

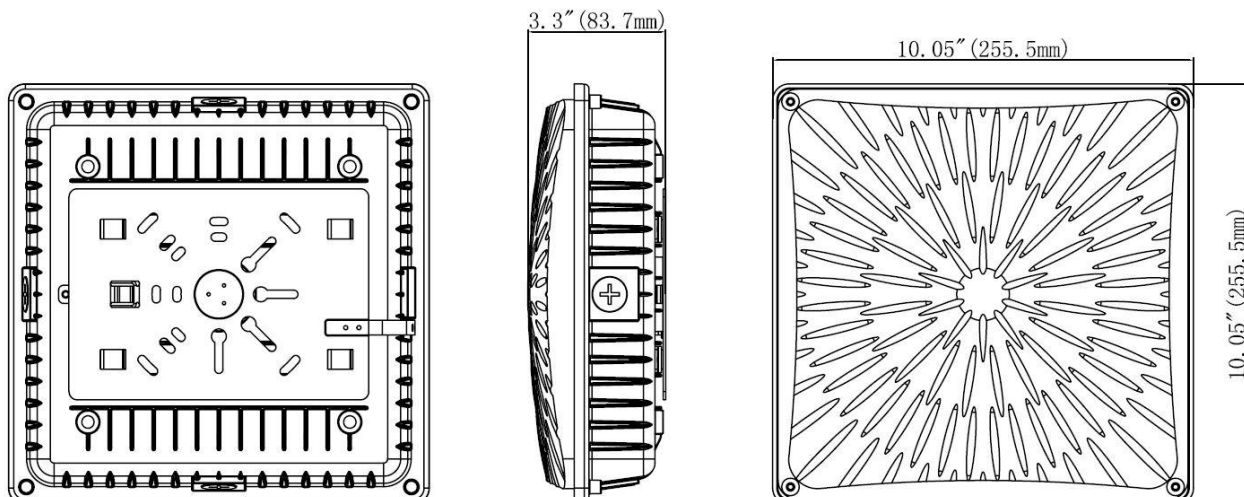
■ Applications

ECOMAX LED SLIM CANOPY Lighting series can be widely used in indoor or outdoor lighting (Wet location), like parking garage, mechanical or electronic processing workshops, storage warehouses, steel mills, gas stations, toll booth, waiting rooms, the platforms of railway station, indoor stadiums and flower cultivating tents etc.

■ Dimensions

- **Shell materials:** Aluminum & PC .
- **Finish:** Dark Bronze/White
- **Net weight:** 7.72 lbs

Unit: inch(mm)



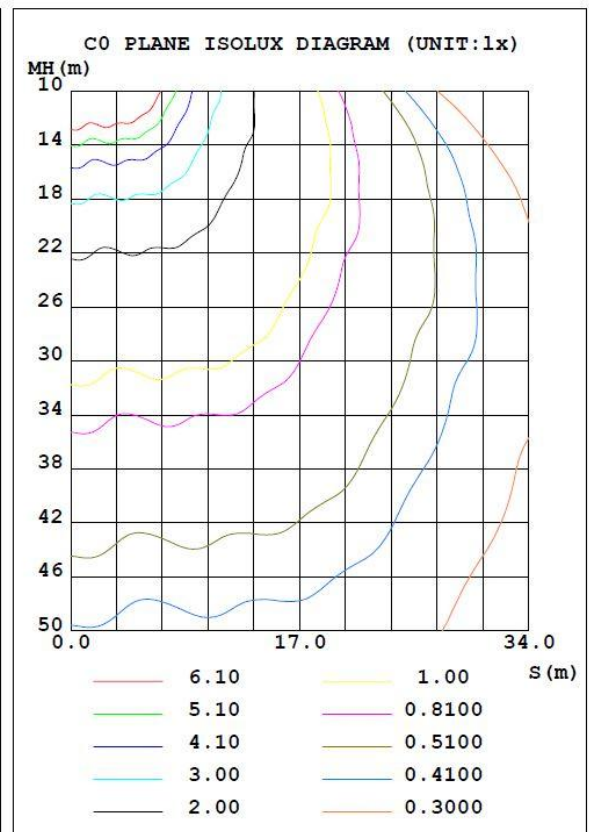
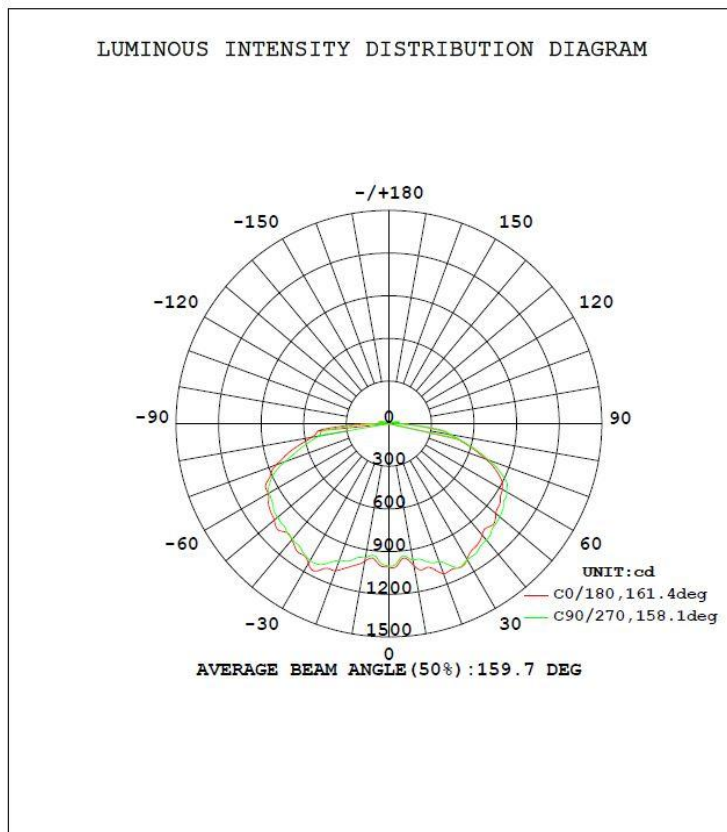
■ Technics

Type	WSD-CP45W27-XXK-Z-M		
Power	45W	Lighting Angle	150°
Input Voltage	AC120-277V	LED Brightness Decay	<5%/6000 hrs
PF	>0.95	Working Life	>50000 hrs
Driver Efficiency	>90%	Working Temperature	-22F - +113F
Luminous Flux	5400 Lm	Storage Temperature	-40F - +176F
Color Temperature	3000K/4000K/5000K/5700K	Protection Level	Wet Location/IP65
CRI	Ra>80	Cable	Input Connect, No cable

Remark: “Z” may be D or W represented color,

“M” may be Motion Sensor.

■ Photometrics (Clear Lens)



■ ORDERING INFORMATION:

EXAMPLE: WSD-CP 45W 27-50K-D-M

WSD	CP	45W	27	50K	D	M
Co. Code	Product	Power	Voltage	Color Temp	Finish	Control
	CP Canopy	45W(45W) 65W(65W)	27 AC120-277V	30K (3000K) 40K (4000K) 50K (5000K) 57K (5700K) ± 500K	D Dark Bronze W White	10V Dimming 1-10V M Motion Sensor

■ Certifications

