



NAME: LED SPORT LIGHT

P/N: SUN-SP01-750WMHT2B1-**acd**

The letter "a" can be can be 2 letters represent lamp colors; "BH = Black、WH=White、BR=Brown or Customized"

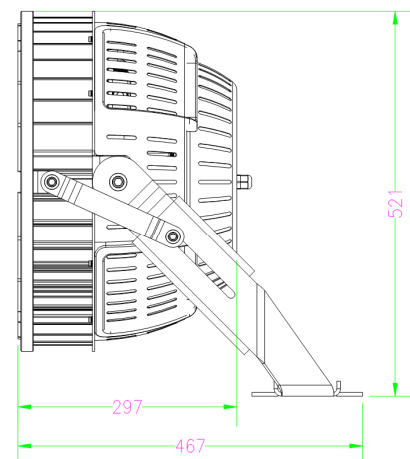
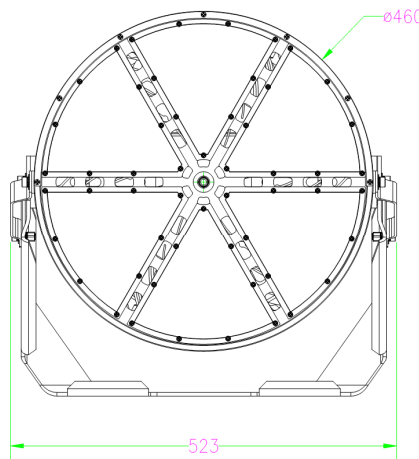
The letter "c" can be "S" or blank to represent Surge protector or None Surge protector;

The letter "d" can be any two-digit number to represent CCT, "40=4000K、45=4500K、50=5000K、57=5700K"

The letter "T" can be T2= 15 Degrees,

### Advantage:

- UL cUL DLC certificate
- Input voltage 100-277Vac
- No UV or IR in the beam
- Easy to install and operate
- Energy saving, long lifespan
- Instant start, NO flickering, NO humming
- Green and eco-friendly without mercury
- Output constant current lever can be adjusted through output cable with 1-10V.



### Application:

- ◆ Gymnasium;
- ◆ Square plaza;
- ◆ Shipyard, Airport ,wharf;
- ◆ High mast and Contour lighting, etc.

#### Product Specifications

Product name	LED Sport Light
Part No	SUN-SP01-750WMHT2B1-acd
Dimension	523*467*521 mm

#### Technical Characteristic

Color temperature	4000K	4500K	5000K	5700K
CRI	>70			
Lumen	93750-108750LM			
Input Power	750W			
Lumen Efficacy	125-145 LM/W			
Beam Angle(50%)	15°			
Field Angle(10%)	35°(NEMA: 3)			
Input Voltage	100-277Vac 50/60Hz			
Driver Model	Mean Well HLG-240H-48B			
PF	>0.9			
Waterproof Rating	WET(IP65)			
EPA	2.5ft <sup>2</sup>			

#### Materials

LED Brand	OSRAM
LED Type	SMD 3737
LED QTY	420 PCS
Housing	Aluminum
Housing color	Black / Brown/white/Customized
Cover	LENS

#### Others

Operating Temperature	-40°C TO 45°C
Operating Humidity	10% RH -90% RH
Storage Temperature	-40°C TO 80°C
Storage Humidity	10% RH -90% RH
Application	Outdoor
Safety Certification	UL
Warranty Time	5 Years

### Light Distribution Testing Parameters

## Luminaire Property

Luminaire Manufacturer:

Voltage: 120.9 V

Power: 747.80 W

Current: 6.2567 A

Power Factor: 0.996

## Photometric Results

IES Classification: Type I

Total Rated Lamp Lumens: 103263.9 lm

Efficiency: 100%

Upward Ratio: 0%

Central Intensity: 636914.5 cd

Pos of Max. Intensity: H22.5 V1

Longitudinal Classification: Very Short

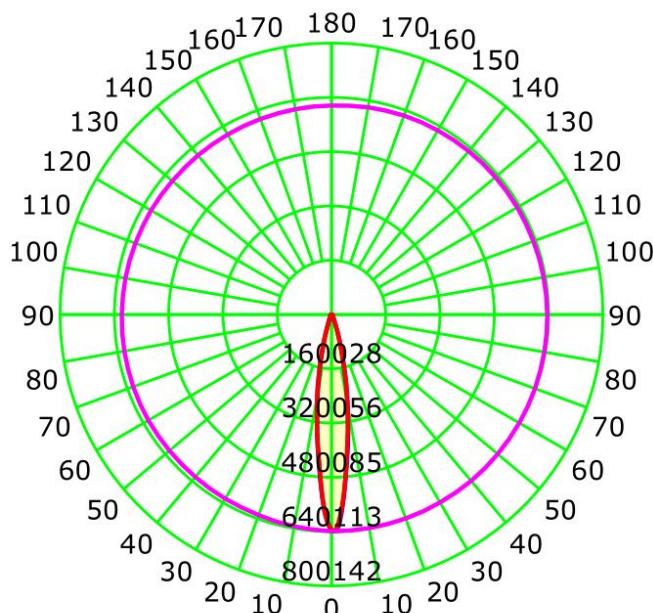
Measurement Flux: 103263.9 lm

Downward Ratio: 100%

Luminaire Efficacy Rating (LER): 138.09

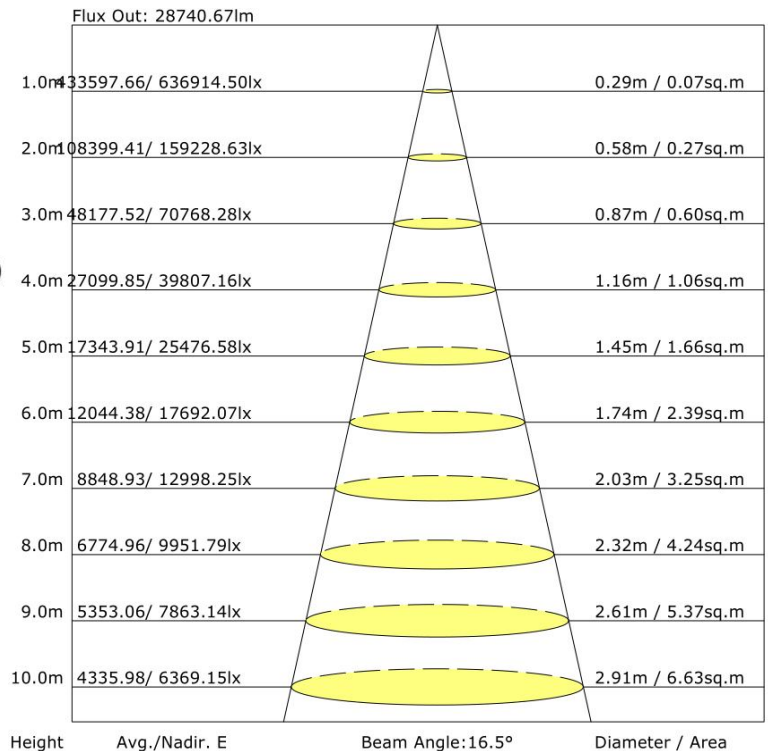
Max. Intensity: 640113.63 cd

Luminous Intensity Distribution Curve

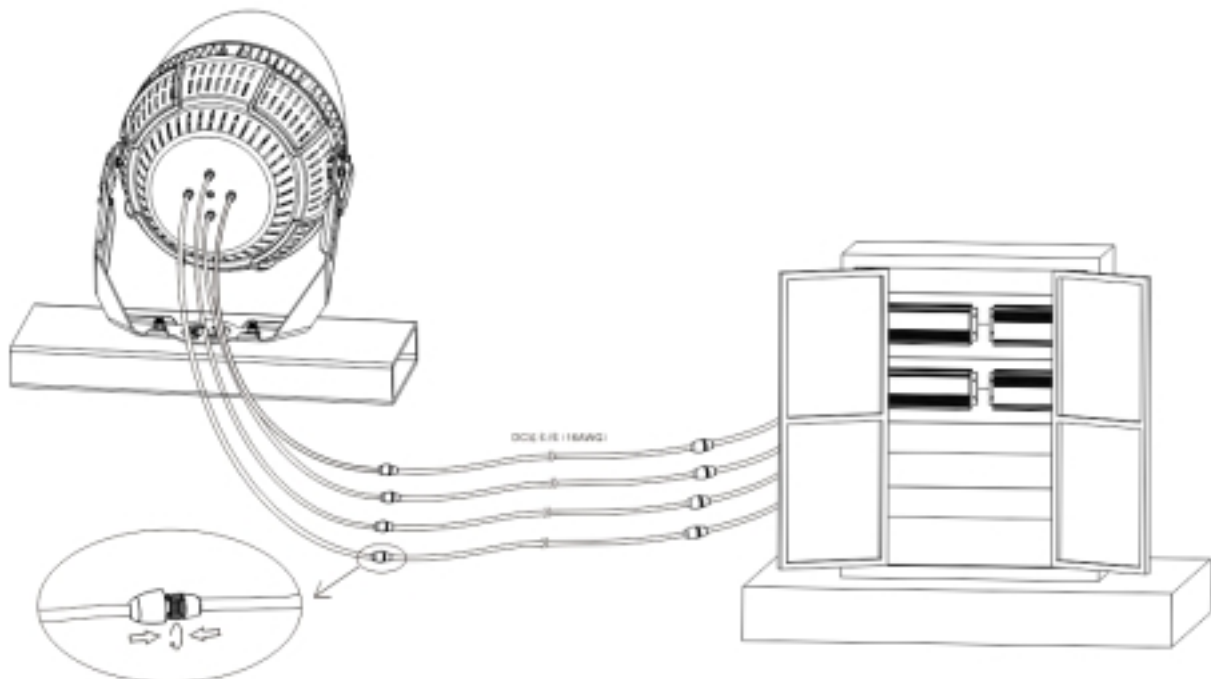
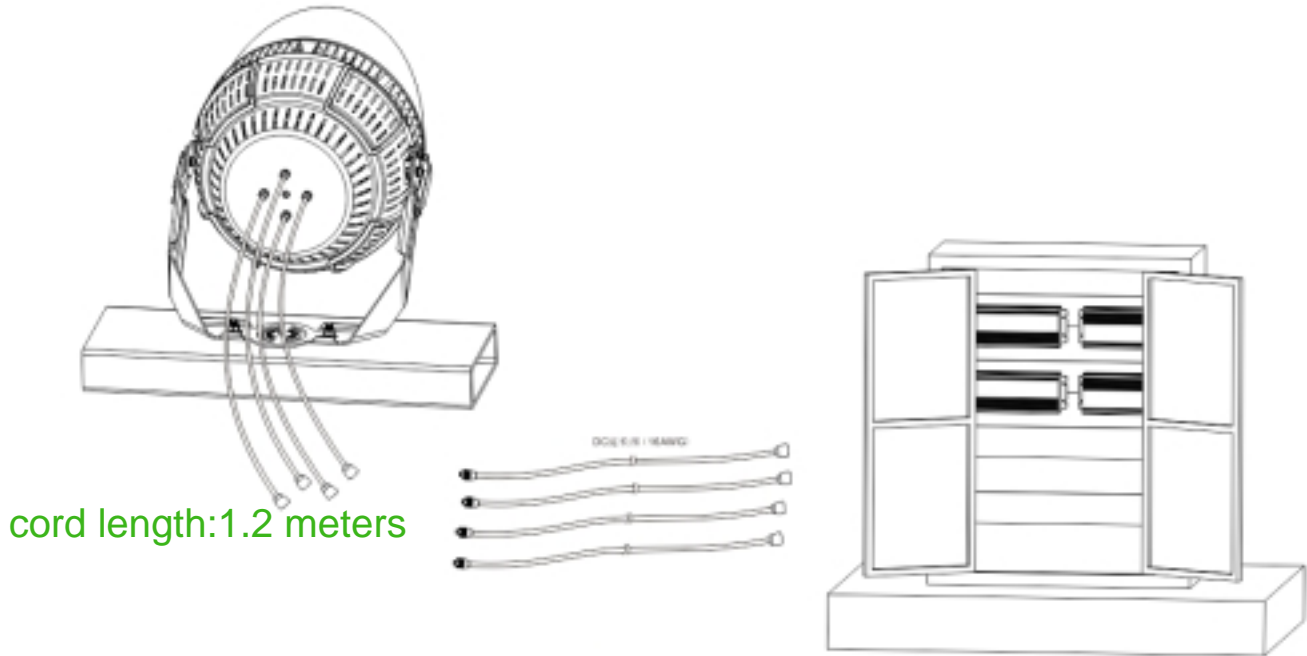


— C0-C180 — C90-C270 — G1

The Average Illuminance Effective Figure



### Installation Guide



14 AWG should be used for AC100-277V

16 AWG for AC200-480V