

Motion Sensor Option

Photocell Option



300W



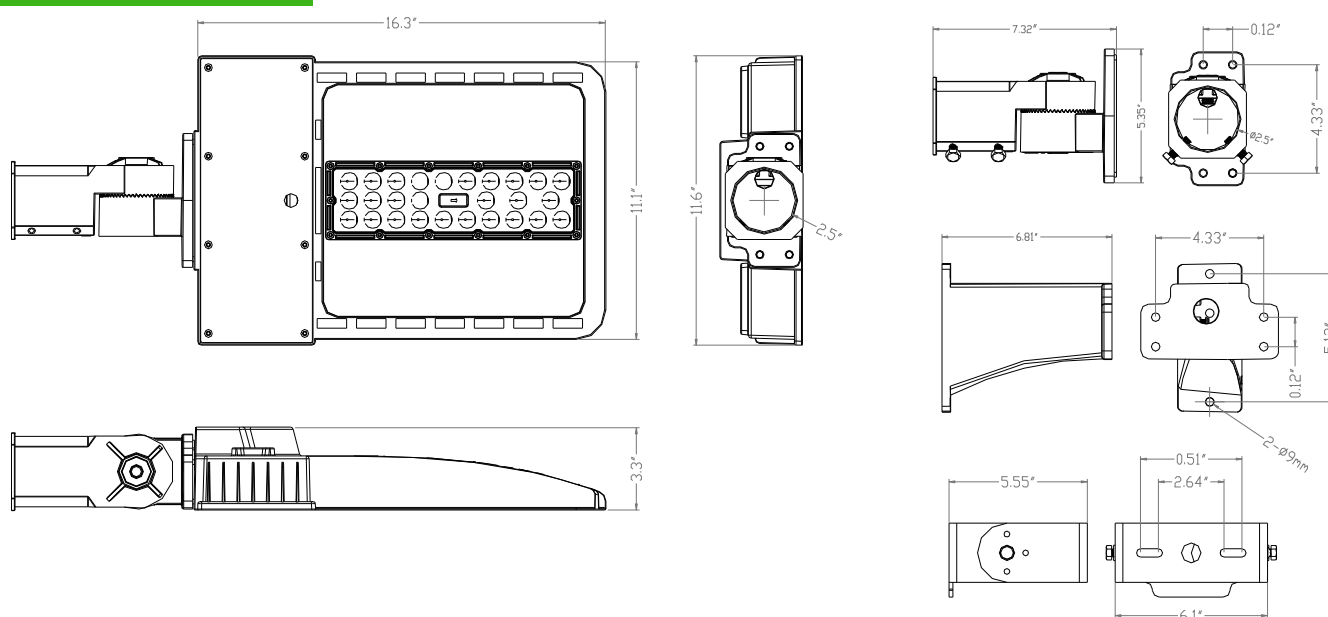
80~100W



150~200W

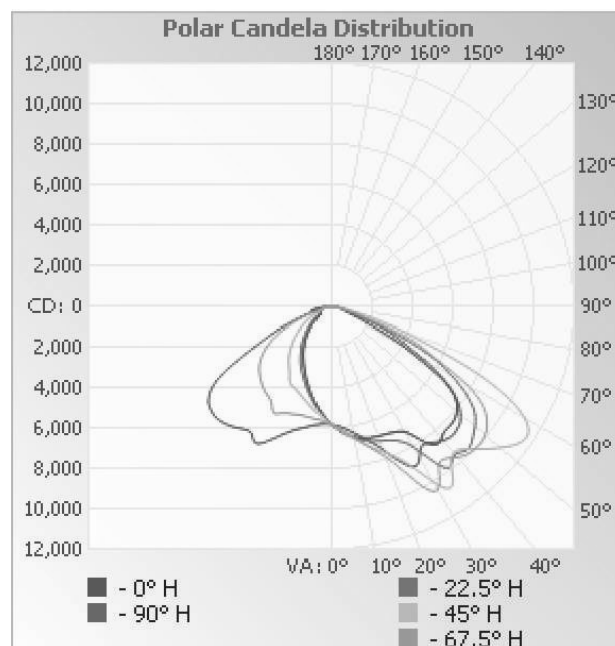
Product Number	Power Consumption (W)	Dimensions (Inch)	Color Temperature (K)	System Luminous Flux(lm)	System Efficacy (Lm/W)
SB-80W A1XYZ	80	11.8"*12.6"*8.4"	5000K	10,400	130
SB-100W A1XYZ	100	11.8"*12.6"*8.4"	5000K	13,000	130

Dimensions



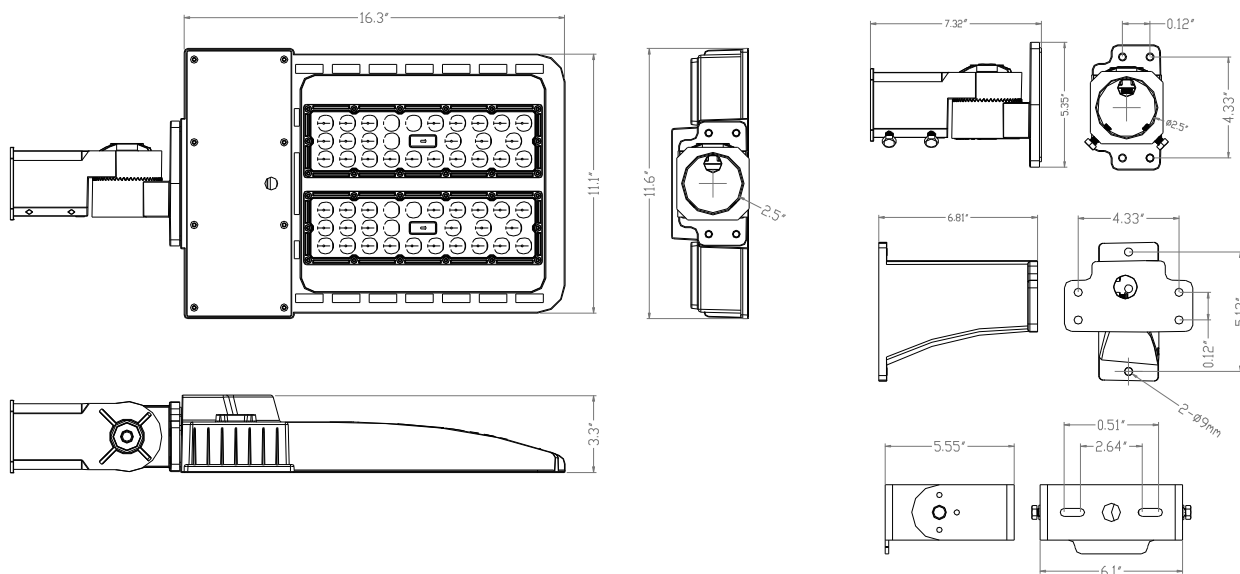
Photometric Data

Rated Power	80/100W
Input Voltage	100-277/200-480VAC
Frequency	50 / 60 Hz
Power Factor	>0.9
Beam Angle	120°
CRI	≥ 80
Dimming Function	0 - 10 V
Operating Temperature	-30°C to 45°C
Beam Angle	Type III



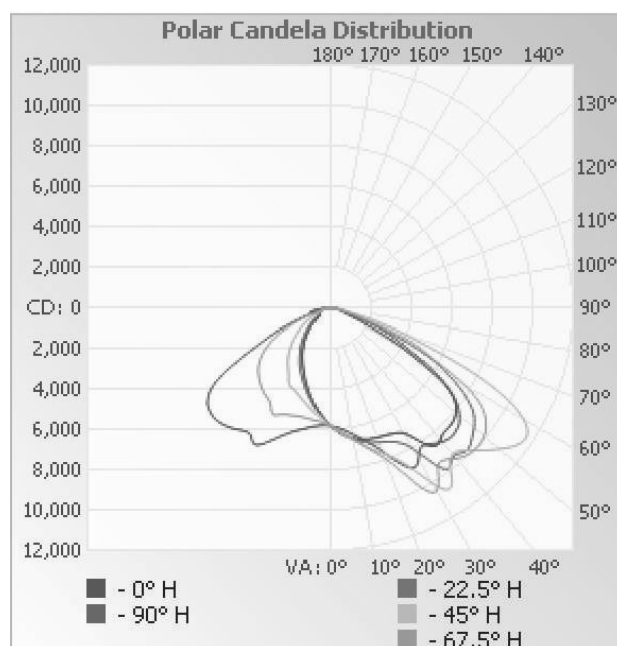
Product Number	Power Consumption (W)	Dimensions (Inch)	Color Temperature (K)	System Luminous Flux(lm)	System Efficacy (Lm/W)
SB-150W A2XYZ	150	23.9"*12.6"*8.4"	5000K	19,500	130
SB-200W A2XYZ	200	23.9"*12.6"*8.4"	5000K	26,000	130

Dimensions



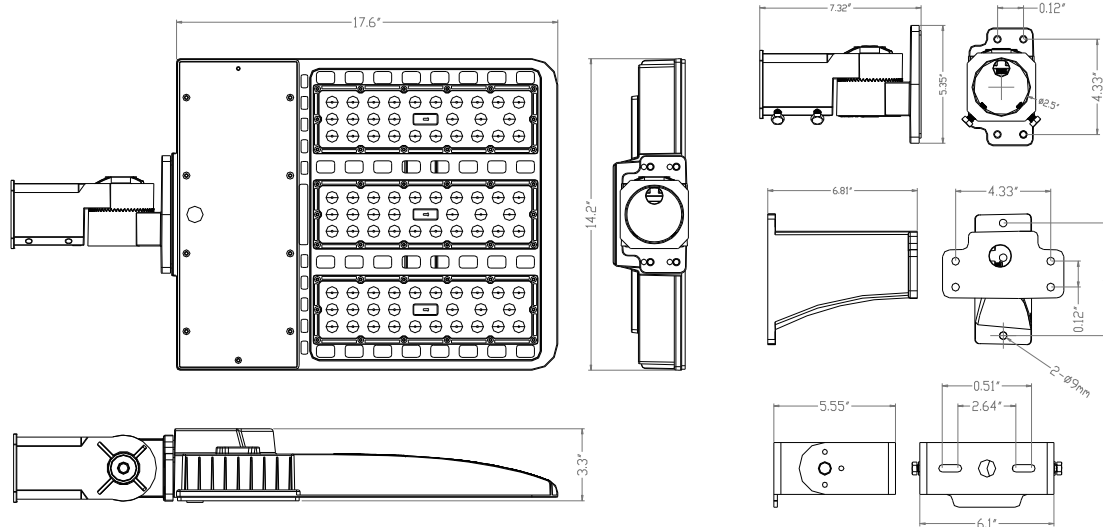
Photometric Data

Rated Power	150/200W
Input Voltage	100-277/200-480VAC
Frequency	50 / 60 Hz
Power Factor	>0.9
Beam Angle	120°
CRI	≥ 80
Dimming Function	0 - 10 V
Operating Temperature	-30°C to 45°C
Beam Angle	Type III



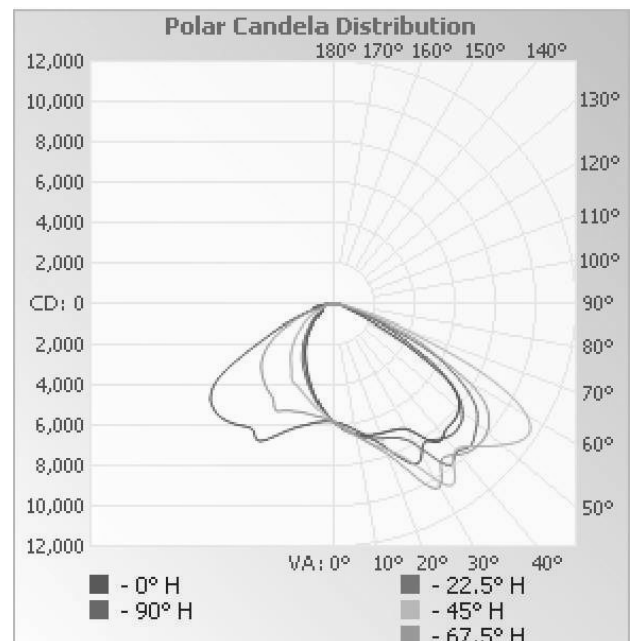
Product Number	Power Consumption (W)	Dimensions (Inch)	Color Temperature (K)	System Luminous Flux(lm)	System Efficacy (Lm/W)
SB-300W A3XYZ	300	29.4"*12.6"*8.6"	5000K	39,000	130

Dimensions



Photometric Data

Rated Power	300W
Input Voltage	100-277/200-480VAC
Frequency	50 / 60 Hz
Power Factor	>0.9
Beam Angle	120°
CRI	≥ 80
Dimming Function	0 - 10 V
Operating Temperature	-30°C to 45°C
Beam Angle	Type III



Applications

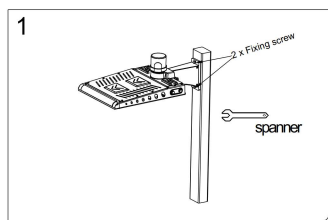


Ordering Guide

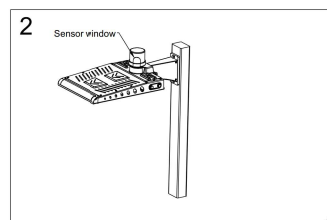
SB	80/100/120/150/200/300W	AiXYZ
Shoe Box light	Wattage	i=1,2,3 modules X=N,D(Non-dim or Dim) Y=27,30...65(CCT) Z=T3(Type III beam angle)

Mounting Options

Arm Mounted

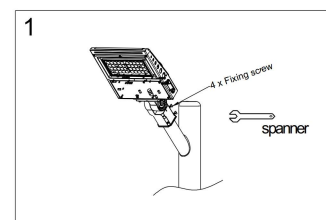


1. Tighten 2x Fixing screw by spanner, ensure to add star washer avoid the screw will loose.

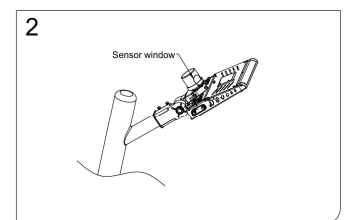


2. Turn on the power to test shoe box light, however you need to cover the sensor window if there is sunshine.

Slip Mount

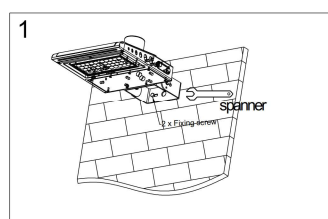


1. Tighten 2x Fixing screw by spanner, ensure to add star washer avoid the screw will loose.

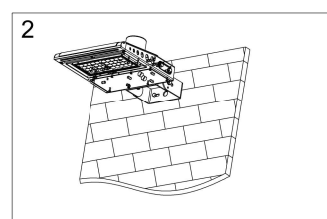


2. Turn on the power to test shoe box light, however you need to cover the sensor window if there is sunshine.

Trunnion Mounted



1. Tighten 2x Fixing screw by spanner, ensure to add star washer avoid the screw will loose.



2. Turn on the power to test shoe box light, however you need to cover the sensor window if there is sunshine.



Arm mounting Kit



Trunnion Mounting Kit



Slip Fitter Mounting Kit