

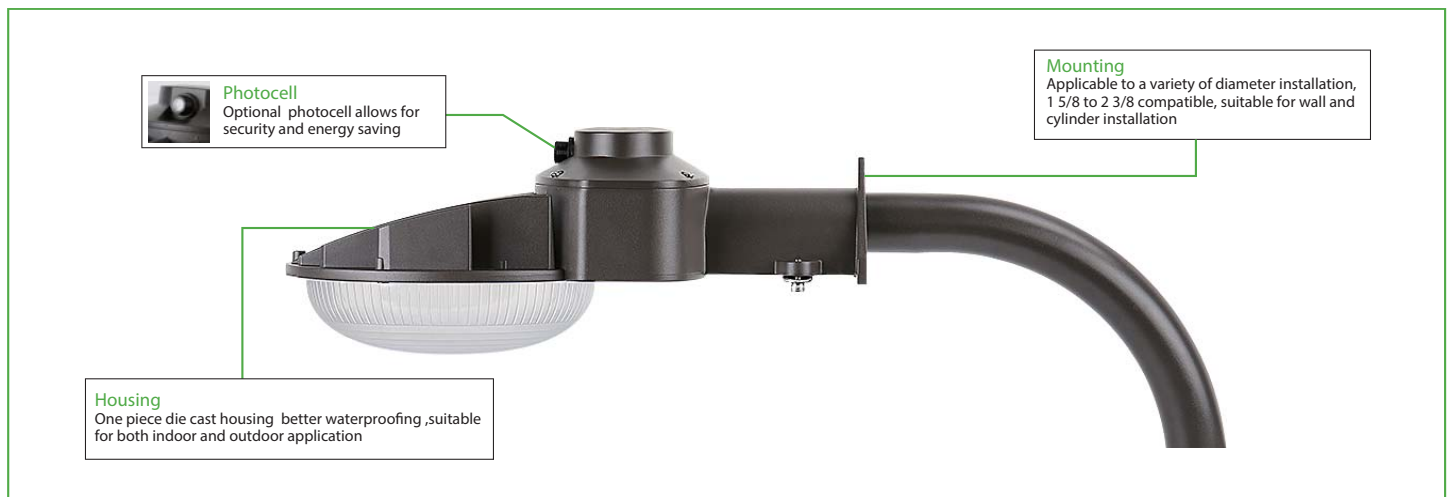


Applications:

Backyards, service road and effective for security and perimeter lighting

Features

- Suitable for WET location/Outdoor
- Voltage is 120-277V.
- Outstanding thermal solution allows for usage in commercial application
- Available in durable polyester dark bronze or silver grey powder coat
- Increase energy savings with photo sensor.
- Replacing 100W MH and 175W MH.
- Operating temperature is -40°C to 45°C (-40°F to 113°F).
- UL/cUL wet location



PERFORMANCE DATA

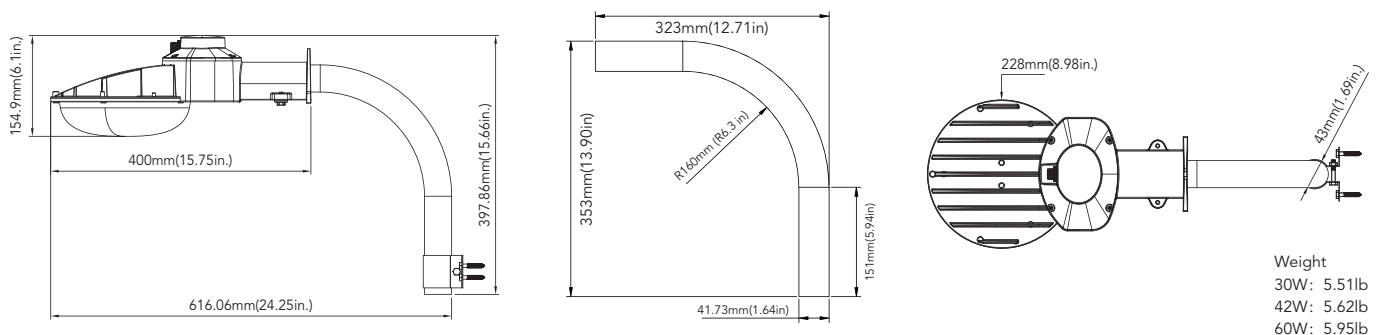
		4000K(70CRI)		5000K(70CRI)	
SYSTEM WATTS	VOLTAGE	LUMENS	LPW	LUMENS	LPW
30W	120-277VAC	3300lm	110 lm/W	3300lm	110 lm/W
42W	120-277VAC	4620lm	110 lm/W	4620lm	110 lm/W
60W	120-277VAC	6600lm	110 lm/W	6600lm	110 lm/W

ELECTRICAL DATA

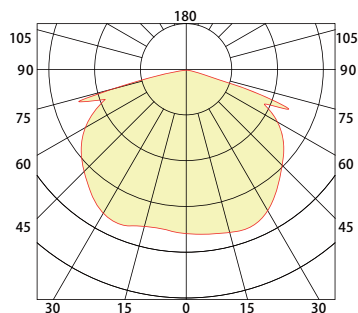
Number Of Drivers	Driver Current (mA)	Nominal Power (W)	INPUT VOLTAGE (V)	CURRENT (Amps)
1	730	30	120	0.25
		30	208	0.14
		30	240	0.13
		30	277	0.11
1	1020	42	120	0.35
		42	208	0.20
		42	240	0.18
		42	277	0.15
1	1450	60	120	0.50
		60	208	0.29
		60	240	0.25
		60	277	0.22

DIMENSION

unit: inch/mm



PHOTOMETRICS



ORDERING GUIDE

Example: MDD02 42W 27V XXK YY

Fixture Type	Wattage	Voltage	CCT	Finish	Sensor (Option)
<input type="text"/>	<input type="text"/>	<input type="text"/>	<input type="text"/>	<input type="text"/>	<input type="text"/>
MDD02	30 30W 42 42W 60 60W	27V 120-277V	40K 4000K 50K 5000K	D Dark Bronze B Black W White SG Silver gray	P0 120-277V Photocell P1 120V Photocell P2 277V Photocell Blank Without Photocell