

Applications:

Parking structures, storage areas, shopping area walkways, entryway, and low level security.

Features

- Sealed die-casting profile for indoor and outdoor applications.
- Voltage is 120-277V & 347-480V.
- Lumen output from 3750-8000lm with efficacy up to 139lm/W.
- Provide with a PIR sensor ideal for parking garage and optional for emergency battery.
- Replacing 100W MH-250W MH.
- Operating temperature is -40°C to 40°C (-40°F to 113°F).
- UL/cUL wet location listed and DLC qualified..



Housing

One piece die cast housing better waterproofing ,suitable for both indoor and outdoor application.

Mounting Bracket

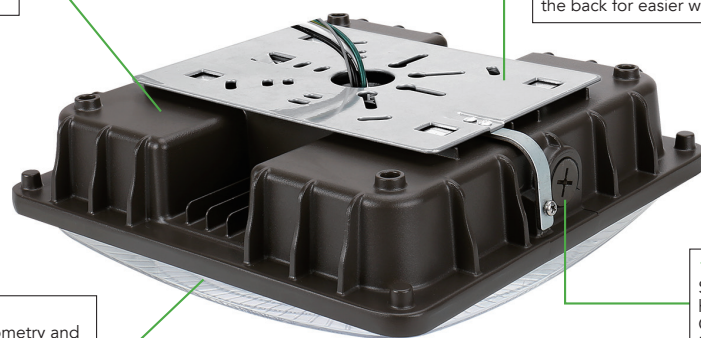
Suitable for J-BOX mounting, and easy for installation, also support pendant mounting,wires coming out from the back for easier wire connections.

PHOTOMETRY

Parking Garage Photometry and polycarbonate optical lens with heat resisting.

1/2inch threaded hole

Support wires coming from the hole for easier wire connections. Optional PIRsensor and Emergency Battery.

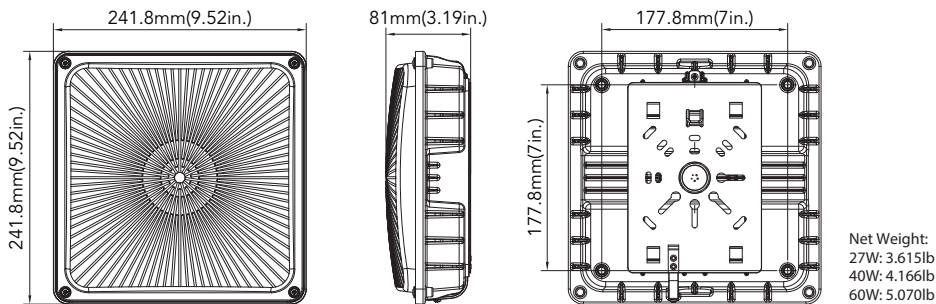


PERFORMANCE DATA

PERFORMANCE DATA			4000K(70CRI)		5000K(70CRI)	
SYSTEM WATTS	PHOTOMETRY	VOLTAGE	LUMENS	LPW	LUMENS	LPW
27W	Parking Garage	120-277VAC	3750lm	139lm/W	3800lm	141lm/W
40W	Parking Garage	120-277VAC/347-480V	5350lm	134lm/W	5450lm	136lm/W
60W	Parking Garage	120-277VAC/347-480V	8000lm	133lm/W	8000lm	133lm/W

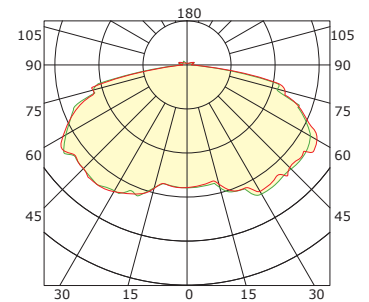
DIMENSION

unit: inch/mm



PHOTOMETRICS

Parking Garage



ORDERING GUIDE

Example: MCP0540W27V40KDMDDB1

Fixture Type	Wattage	Input Voltage	CCT	Finish	Sensor (Option)	Dimmable(Option)	Emergency Batter (Option)	Internal Code
<input type="checkbox"/>	<input type="checkbox"/>	<input type="checkbox"/>	<input type="checkbox"/>	<input type="checkbox"/>	<input type="checkbox"/>	<input type="checkbox"/>	<input type="checkbox"/>	<input type="checkbox"/>
MCP05 MCP Series	27 27W 40 40W 60 60W	27V 120-277V 48V 347-480V	40K 4000K 50K 5000K	D Dark Bronze B Black W White SG Silver Gray	M With Sensor Blank Without Sensor	D 0-10 Dimmable Blank NON Dimmable	B With Battery Blank Without Battery	Blank Alphanumeric

Note: 1. 27W is limited to 120-277V input only.
 2. Only the DIM has emergency batter options.

DLC Model NO.

SYSTEM WATTS	VOLTAGE	CCT	DLC NO.	DLC Classification
27W	120-277V	4000K	MCP0527W27V40K[D,B,W,SG][Blank,M]	Standard
	120-277V	5000K	MCP0527W27V50K[D,B,W,SG][Blank,M]	Standard
40W	120-277V	4000K	MCP0540W27V40K[D,B,W,SG][Blank,M]	Standard
	120-277V	5000K	MCP0540W27V50K[D,B,W,SG][Blank,M]	Standard