

Product feature

- Universal AC input with full range
- High efficiency up to 90%
- Protection : Short circuit / over current / over voltage
- Cooling by free air convection
- Built-in constant current limiting circuit
- High reliability
- Suitable for LED lighting and electronic screen applications
- Compliance to worldwide safety regulation for lighting
- UL Certificate



INPUT

VOLTAGE RANGE	100~277VAC
FREQUENCY RANGE	50~60Hz
POWER FACTOR(Typ.)	PF>=0.98/120V,PF>=0.90/277V (AT FULL LOAD)
AC CURRENT(Max .)	0.60A
LEAKAGE CURRENT	<0.75mA
INRUSH CURRENT(Typ.)	20A/277Vac
THD	<20%

OUTPUT

MODEL	ZY-K40W
Output Channel	1 Channel
Rated Current	1000mA
DC Voltage	40V
Input Voltage	AC100-277V
Rated Power	40W
Efficiency	91%
Lifespan	50000 hours
Current Accuracy	5%
LINE REGULATION	1%
HOLD UP TIME (Typ)	30ms (at full load)
SETUP, RISE TIME	3000mS (at full load)

PROTECTION

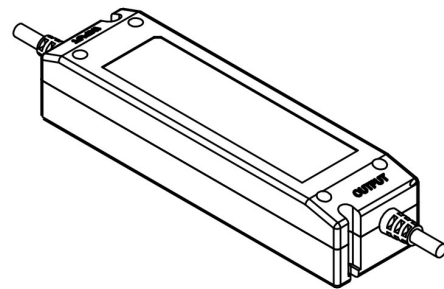
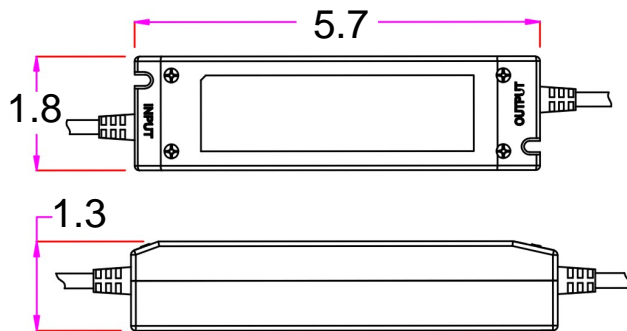
OVER CURRENT	105~110% Iout
	Protection type: Constant current limiting, recovers automatically after fault condition is removed
SHORT CIRCUIT	Hiccup mode , recovers automatically after fault condition is removed
OVER VOLTAGE	105~125%
	Protection type: Shut down output voltage

ENVIRONMENT

WORKING TEMP.	-20~+40°C / -4F ~ 104F
WORKING HUMIDITY	20-95%RH non-condensing
STORAGE TEMP., HUMIDITY	-40~+60°C, 10~95%RH / -40F ~ 140F
TEMP. COEFFICIENT	0.03%/°C(0 ~ 40°C) / 32F ~ 104F
VIBRATION	10~500Hz, 2G 12Min. / 1cycle, period for 72min. each along X、Y、Z axes

MEASUREMENTS

Unit:inch

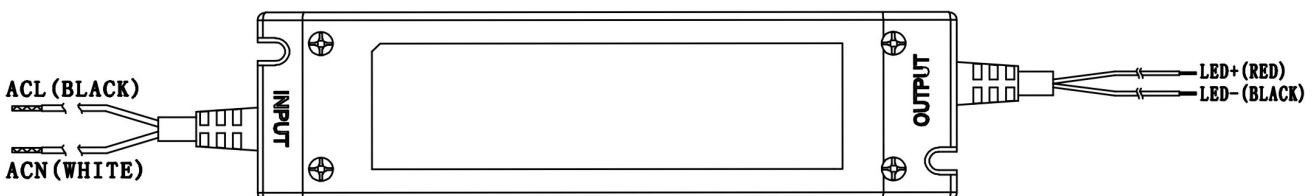


WIRE CONNECTION

Wire Color	Assignment
Black	AC L
White	AC N

Packing Size (cm)	37X37X40
Quantity	100 pieces
Weight	50lbs

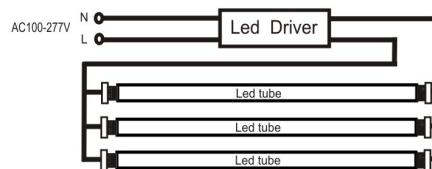
Wire Color	Assignment
Red	LED +
Black	LED -



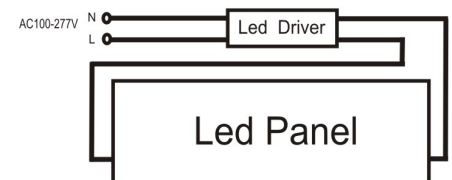
APPLICATION

ZY-K40W

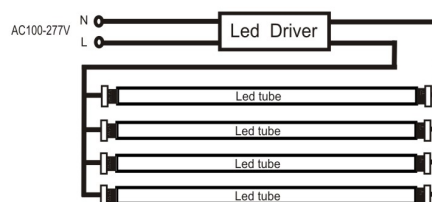
Item	Application Production	Model Name
1	LED Tube	ZY-T8-40W2400 BONT
2	LED Tube	ZY-T8-22W1200 BONT
3	LED Tube	ZY-T5-22W1200 BONT
4	LED Cooler Light	ZY-22W1200 BONS
5	LED Tube	ZY-T8-13W1200 BONT
6	LED Tube	ZY-T8-13W600 BONT
7	LED Tube	ZY-T8-13W900 BONT
8	LED Cooler Light	ZY-13W1200 BONS
9	LED Cooler Light	ZY-13W900 BONS
10	LED Tube	ZY-T8-10W600 BONT
11	LED Tube	ZY-T8-10W900 BONT
12	LED Cooler Light	ZY-10W1200 BONS
13	LED Cooler Light	ZY-10W900 BONS
14	LED Panel Light	ZY-P4-40W CNS
15	LED Panel Light	ZY-P1-40W CNS



One driver for three pieces of tubes



One driver for one piece of panel



One driver for four pieces of tubes