

Product feature

- Universal AC input with full range
- High efficiency up to 90%
- Protection : Short circuit / over current / over voltage
- Cooling by free air convection
- Built-in constant current limiting circuit
- High reliability
- Suitable for LED lighting and electronic screen applications
- Compliance to worldwide safety regulation for lighting
- UL Certificate



INPUT

VOLTAGE RANGE	Note.1	100~277Vac
FREQUENCY RANGE		50~60Hz
POWER FACTOR(Typ.)		PF ≥0.98/120Vac, PF ≥0.90/277Vac (at full load)
AC CURRENT(Max .)		0.30A
LEAKAGE CURRENT		<0.75mA / 277Vac
INRUSH CURRENT(Typ.)		20A/277Vac
THD		<20%

INPUT

MODEL	ZY-DR-WG10-1	ZY-DR-WG10-2	ZY-DR-WG10-3
OUTPUT CHANNEL	1 Channel	1 Channel	1 Channel
RATED CURRENT	300mA	380mA	540mA
DC VOLTAGE	36V	40V	40V
CONSTANT CURRENT REGION	28~36V	30~40V	30~40V
RATED POWER	10W	13W and 15W	18W and 22W
Efficiency	91%	91%	91%
Lifespan	50000 hours	50000 hours	50000 hours
CURRENT ACCURACY	5%		
LINE REGULATION	1%		
HOLD UP TIME (Typ)	30ms (at full load)		
SETUP, RISE TIME	3000mS (at full load)		

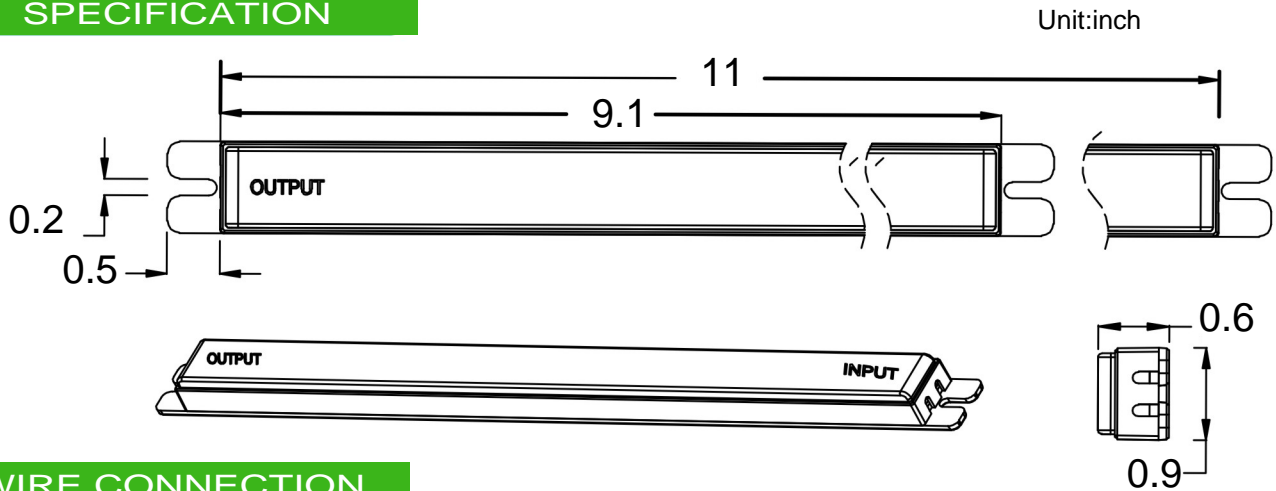
PROTECTION

OVER CURRENT	105~110% Iout Protection type: Constant current limiting, recovers automatically after fault condition is removed
SHORT CIRCUIT	Hiccup mode , recovers automatically after fault condition is removed
OVER VOLTAGE	105~125% Protection type: Shut down output voltage

ENVIRONMENT

WORKING TEMP.	-20~+40°C / -4F ~ 104F
WORKING HUMIDITY	20-95%RH non-condensing
STORAGE TEMP., HUMIDITY	-40~+60°C, 10~95%RH / -40F ~ 140F
TEMP. COEFFICIENT	0.03%/°C(0 ~ 40°C) / 32F ~ 104F
VIBRATION	10~500Hz, 2G 12Min. / 1cycle, period for 72min. each along X、Y、Z axes

SPECIFICATION



WIRE CONNECTION

- Built-in 0-10V dimming function.

- Please DO NOT connect "DIM+ -" to "LED+ -".

Wire Color	Assignment
Black	AC L
White	AC N

Wire Color	Assignment
Blue	GNG
Brown	+(0-10)
Red	LED1+
Black	LED1-



APPLICATION

ZY-DR-WG10-1

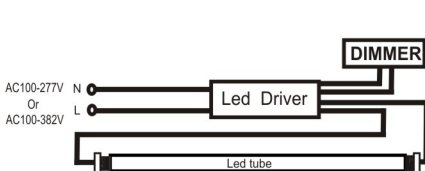
Item	Application Production	Model Name
1	LED Tube	ZY-T8-10W600 BODT
2	LED Tube	ZY-T8-10W900 BODT
3	LED Tube	ZY-T8-10W1200 BODT
4	LED Tube	ZY-T5-10W600 BODT
5	LED Tube	ZY-T5-10W900 BODT
6	LED Tube	ZY-T5-10W1200 BODT
7	LED Cooler Light	ZY-10W600 BODS
8	LED Cooler Light	ZY-10W900 BODS
9	LED Cooler Light	ZY-10W1200 BODS

ZY-DR-WG10-2

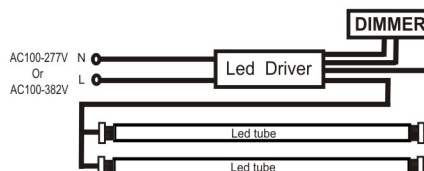
Item	Application Production	Model Name
1	LED Tube	ZY-T8-15W1200 BODT
2	LED Tube	ZY-T8-15W1200 BODT
3	LED Tube	ZY-T8-15W1200 BODT
4	LED Tube	ZY-T5-15W600 BODT
5	LED Tube	ZY-T5-15W900 BODT
6	LED Tube	ZY-T5-15W1200 BODT
7	LED Cooler Light	ZY-15W600 BODS
8	LED Cooler Light	ZY-15W900 BODS
9	LED Cooler Light	ZY-15W1200 BODS

ZY-DR-WG10-3

Item	Application Production	Model Name
1	LED Tube	ZY-T8-18W1200 BODT
2	LED Tube	ZY-T8-18W1500 BODT
3	LED Tube	ZY-T8-22W1200 BODT
4	LED Tube	ZY-T8-22W1500 BODT
5	LED Tube	ZY-T5-18W1200 BODT
6	LED Tube	ZY-T5-22W1200 BODT
7	LED Cooler Light	ZY-18W1200 BODS
8	LED Cooler Light	ZY-22W1200 BODS
9	LED Cooler Light	ZY-20W1500 BODS
10	LED Cooler Light	ZY-22W1500 BODS
11	LED Cooler Light	ZY-22W1800 BODS
12	LED Tube	ZY-T8-10W600 BODT
13	LED Tube	ZY-T8-10W900 BODT
14	LED Tube	ZY-T5-10W600 BODT
15	LED Tube	ZY-T5-10W900 BODT
16	LED Cooler Light	ZY-10W600 BODS
17	LED Cooler Light	ZY-10W900 BODS
18	LED Cooler Light	ZY-10W1200 BODS



One driver for one piece of tube



One driver for two pieces of tubes