

SUN-SB-480W-111X-1601

Powered By 



Adjustable Fiter / Direct / Yoke Mounting Available

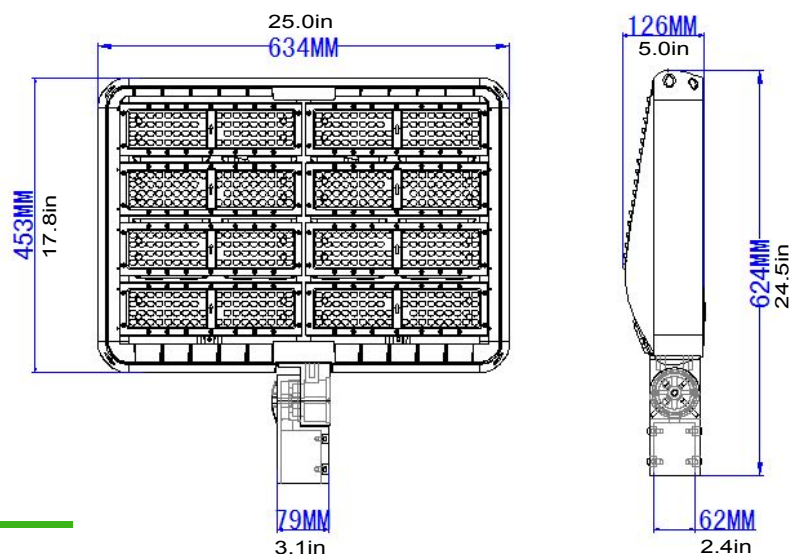


### Advantage

- UL certificate
- IP65 MeanWell driver, input voltage AC100-277V
- Easy to install and operate
- 5 Year warranty
- Replace 1200-1500W HID
- Instant start, No flickering, No humming
- Energy Efficient and No Mercury

### Applications

- ◆ Outdoor Basketball Court, Tennis Court
- ◆ School Playground, Stadium
- ◆ Road Lamp, Entertainment Plaza



### Product Specifications

Product name	LED SHOEBOX
Part No	SUN-SB-480W-111X-1601
Light Type	SHOEBOX
Dimension	624MM*634*126MM / 24.5*25.0*5.0IN

### Technical Characteristic

Color temperature	4000K	5000K	5700K
CRI	>70		
Lumen	60000-62400LM		
Lumen Efficacy	120-130LM/W		
Input Power	480W		
Viewing Angle	150*85 Degree (Type III)		
Input Voltage	AC100-277V 50/60Hz		
Driver model	HLG-240H-48A(2PCs MEAN WELL Driver)		
PFC	>0.9		
Equivalent	1200-1500W HID		
Waterproof Rating	IP65		

### Materials

LED Brand	PHILIPS
LED Type	3030,1.5W
LED QTY	560PCS
Housing	Aluminum(ADC12)
Housing color	BLACK

### Others

Operating Temperature	-20°C ~ 45°C / -4°F ~ 113°F
Operating Humidity	20%-90% RH
Storage Temperature	-30°C ~ 80°C / -22°F ~ 176°F
Storage Humidity	10%-95%
Application	Outdoor/Indoor
Certification	UL
Warranty	5 Years

### Photometrics

DATA OF LAMP		PHOTOMETRIC DATA				Eff: 129.59 lm/W
MODEL	SUN-SB-480W-111X-1601-4000K	I <sub>max</sub> (cd)	26713	S/MH (C0/180)		1.67
NOMINAL POWER (W)	480	LOR (%)	100.0	S/MH (C90/270)		2.06
RATED VOLTAGE (V)	120	TOTAL FLUX (lm)	60853	η UP, DN (C0-180)		0.1, 42.8
NOMINAL FLUX (lm)	60852.9	CIE CLASS	DIRECT	η UP, DN (C180-360)		0.1, 56.9
LAMPS INSIDE	1	η up (%)	0.2	CIBSE SHR NOM		1.50
TEST VOLTAGE (V)	120.0	η down (%)	99.8	CIBSE SHR MAX		1.55

