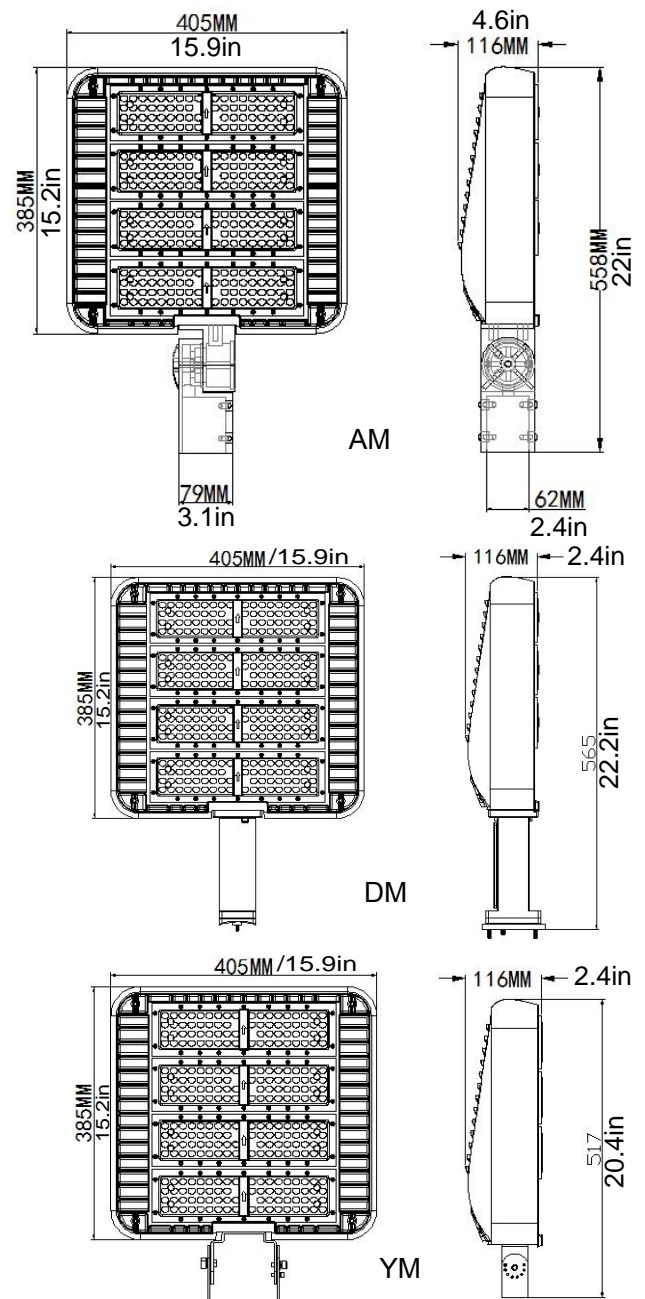


Powered By 

SUN-S200HVT3ZA1



Advantage:

- UL certificate
- PHILIPS LUMILEDS Chip, high CRI
- Mean Well IP65 driver, input voltage 200-480VAC
- No UV or IR in the beam
- Easy to install and operate
- Energy saving, long lifespan
- Light is soft and uniform, safe to eyes
- Instant start, NO flickering, NO humming
- Green and eco-friendly without mercury

Application:

- 1. Outdoor basketball court, tennis court.
- 2. Badminton court, the football field.
- 3. The school playground, stadium.
- 4. Community leisure entertainment plaza, road lamp

Specifications

Product name	LED Shoebox Light		
Light Type	Shoebox Light		
Part No	SUN-S200HVT3ZA1		
Dimension	558*405*116mm 22.0*15.9*4.6in	565*405*116mm 22.2*15.9*4.6in	517*405*116mm 20.4*15.9*4.6in

Technical Characteristic

Color temperature	4000K	5000K	5700K
CRI	>70		
Lumen	26000-29000LM		
Lumen Efficacy	120-135 LM/W		
Input Power	200W		
Viewing Angle	150*85 Degree (Type III)		
Input Voltage	200-480VAC 50/60Hz		
Driver model	HVG-240-48A		
PFC	>0.9		
Waterproof Rating	IP65		

Materials

LED Brand	PHILIPS LUMILEDS
LED Type	LUXEON 3030 2D (1.5W)
LED QTY	280PCS
Housing	Aluminum Alloy
Housing color	Black
Optional Accessory	Photocell / Surge protector / Motion sensor

Others

Operating Temperature	-20°C ~ 45°C / -4°F ~ 113°F
Operating Humidity	20%-90% RH
Storage Temperature	-30°C ~ 80°C / -22°F ~ 176°F
Storage Humidity	10%-95%
Application	Outdoor/Indoor
Certification	UL
Warranty	5 Years

Photometrics

DATA OF LAMP		PHOTOMETRIC DATA			
MODEL	SUN-S300HVT3ZA1	Imax (cd)	13196	S/MH (C0/180)	1.79
NOMINAL POWER (W)	200	LOR (%)	100.0	S/MH (C90/270)	0.76
RATED VOLTAGE (V)	277	TOTAL FLUX (lm)	28137	η UP, DN (C0-180)	0.1, 67.2
NOMINAL FLUX (lm)	28137.1	CIE CLASS	DIRECT	η UP, DN (C180-360)	0.1, 32.6
LAMPS INSIDE	1	η up (%)	0.2	CIBSE SHR NOM	1.50
TEST VOLTAGE (V)	277.0	η down (%)	99.8	CIBSE SHR MAX	1.55

