



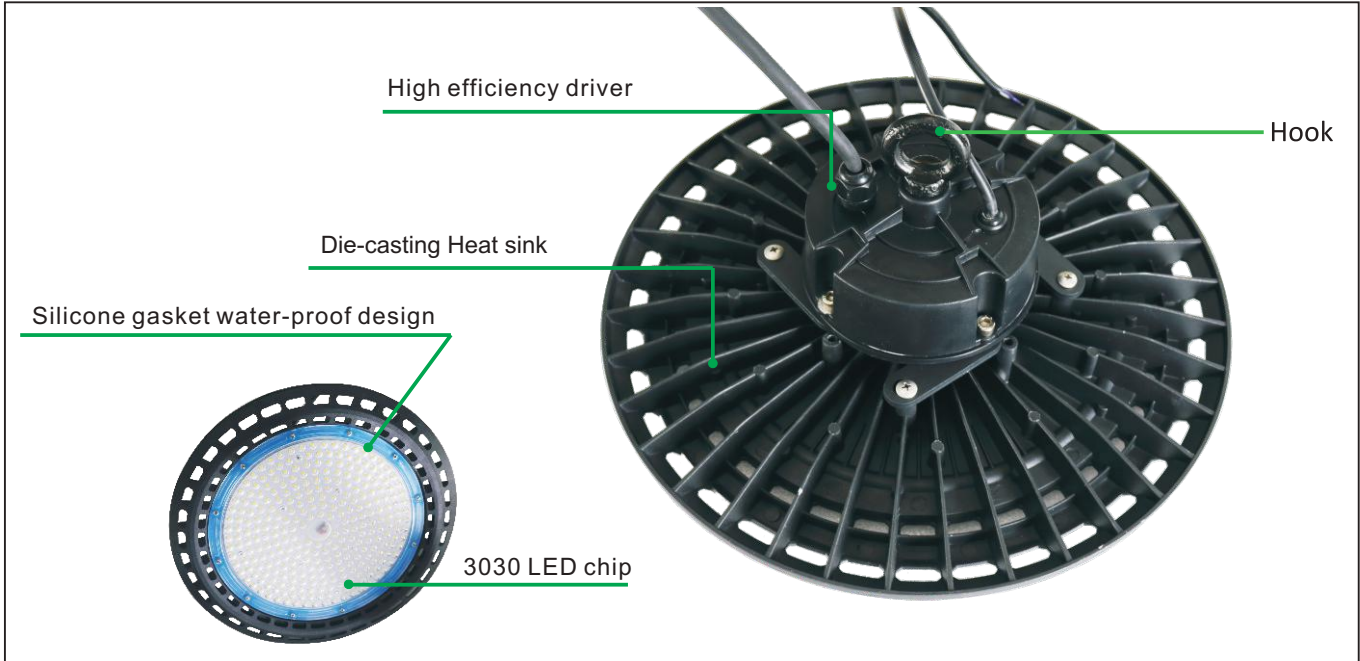
80-240W Shape



250-300W Shape



Structure Diagram



Order Guide

EV-	U	80~300W	DiYZ
Company code	UFO High Bay	Wattage	Di=D1 for 80/100/120W shape Di=D2 for 120/150/200/220/240W shape Di=D3 for 250/300W shape Y=D for Dimmable, N for Non-dimming Z=N/A

Application

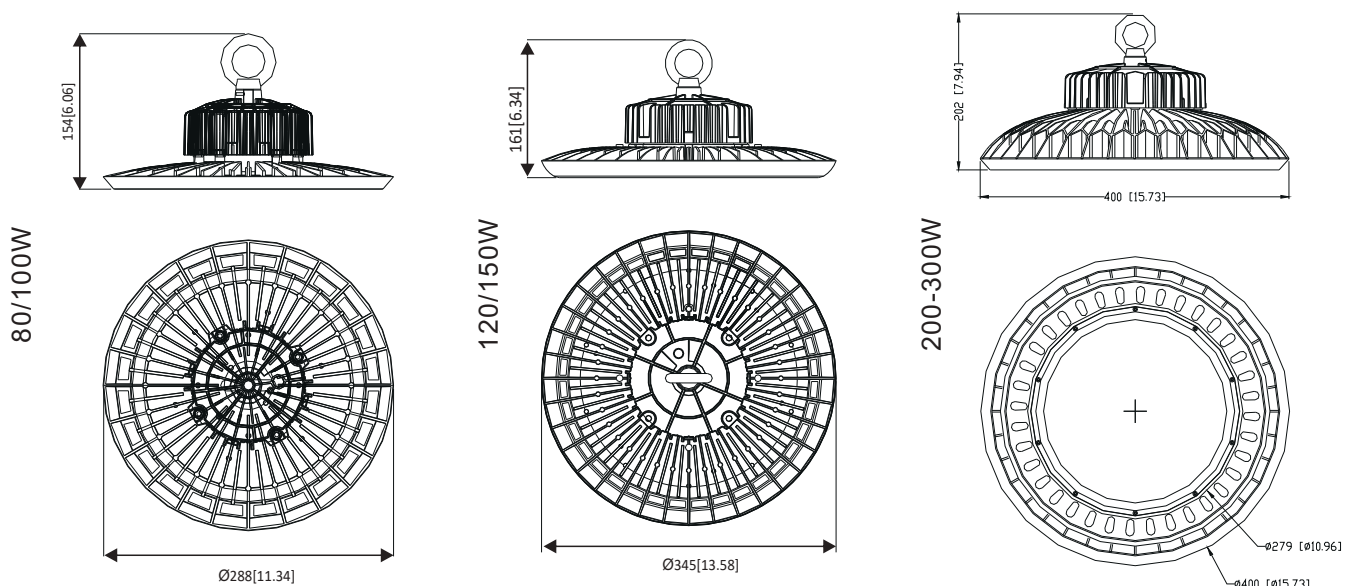
Applied in Factory, workshop, warehouse, logistic center, exhibition hall, gym, shipyards, mining, gas station, supermarket, and so on.



Structure Diagram

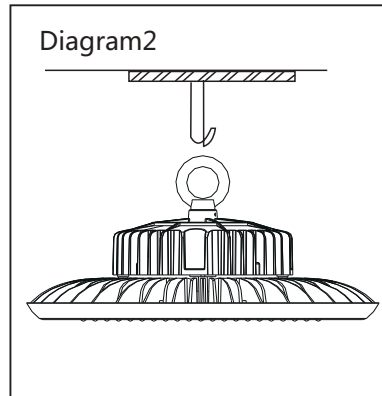
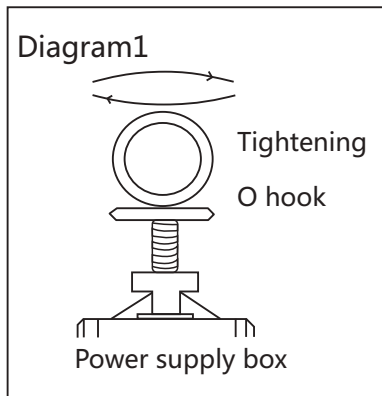
Model:	EV-U80/100W D1DZ	EV-U150/200/240W D2DZ	EV-U250/300W D3DZ
Power:	80/100W	120/150/200/220/240W	250/300W
CCT	4000/4500/5000/5700K		
Lumens:	>130lm/w \pm 5%		
Housing :	Aluminium		
Opertion Temp.:	-30°C to +40°C		
Life Span:	50,000 hours duty cycle		
Voltage range:	AC100-277/200-480V		
Frequency :	50/60Hz		
Dimming Option :	Yes		
Beam Angle:	120°		
CRI:	>70		
PF:	\geq 0.95		
Power Efficiency:	\geq 90%		
Warranty:	5 Years		

Dimensions (Unit mm[inch])

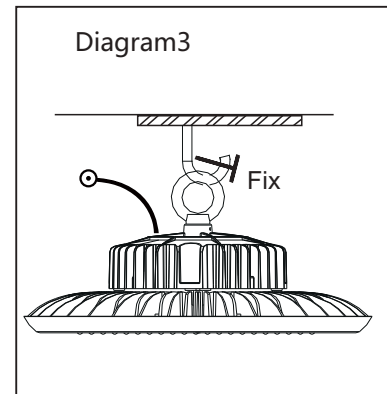


Installation Instruction

Option 1

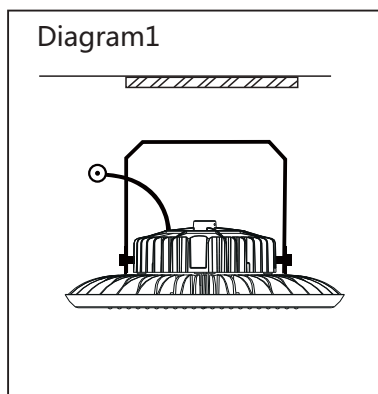


Ensure the fixed wall strong enough can bear 30kg

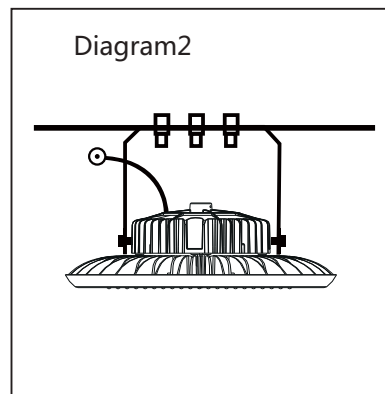


Turn on the power and test

Option 2



Turn on the power and test



Turn on the power and test

Package

Power	N.W(kg)	G.W(kg)	Package Size(mm)	PCS/Box
80/100W	3.8*2	4.5*2	388*363*320mm	2
120/150/200/240W	4.5*2	5.2*2	388*363*340mm	2
240/300W	5.2	6.5	480*480*200mm	1