

PROJECT NAME	
CATALOG NUMBER	
NOTES	
FIXTURE TYPE	

DESCRIPTION

EcoMax split LED Commercial Downlight series have been optimized to the third generation. The innovative separable design of junction box and housing makes it more flexible, With 65° beam angle, the 4" split commercial downlight can fulfill a wide range of lighting needs. Easy-fit installation comes from adjustable spring-action housing clips. It is designed and engineered for recessed applications, which is suitable for commercial and public places and elegantly decorates the ambience, such as shopping mall, hospital, airport, hotel lobby, etc. Tunable white function is available in 3000K, 4000K and 5000K by switch.

PERFORMANCE SUMMARY

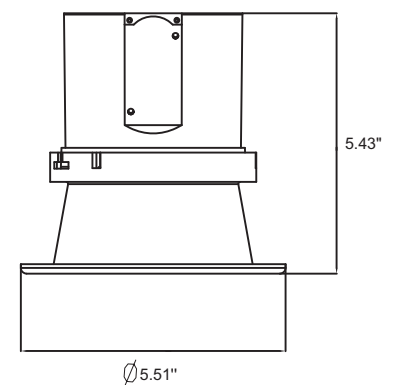
Model	CP4-D10W-XXT	CP4-D15W-XXT	CP4-D20W-XXT
Efficacy	66LPW	69LPW	68LPW
Rated Power	10W	15W	20W
Delivered light output	660lm	1035lm	1360lm
Input Current	0.1A	0.15A	0.2A
Input Voltage	120-347V AC		
CRI	Ra>80		
Tunable White Option	Available in 3000K, 4000K and 5000K by switch		
THD	<20%		
PF	>0.9		
Standard Warranty	5 Years		
Standard Lifetime	Designed minimum 35,000 hours		
Mounting	Recessed		
Temperature Rating	Designed to operate in temperatures 45°C and below room side and plenum side.		
Dimming Type	0-10V dimming		
Recommended Dimmers	DVTV(LUTRON), IP710(LEVITON)		
UL Listed	YES	YES	YES
Energy Star Listed	YES	YES	YES
Lm79 Report	YES	YES	YES
Damp Rated	YES	YES	YES

Tunable white Split 4" Recessed

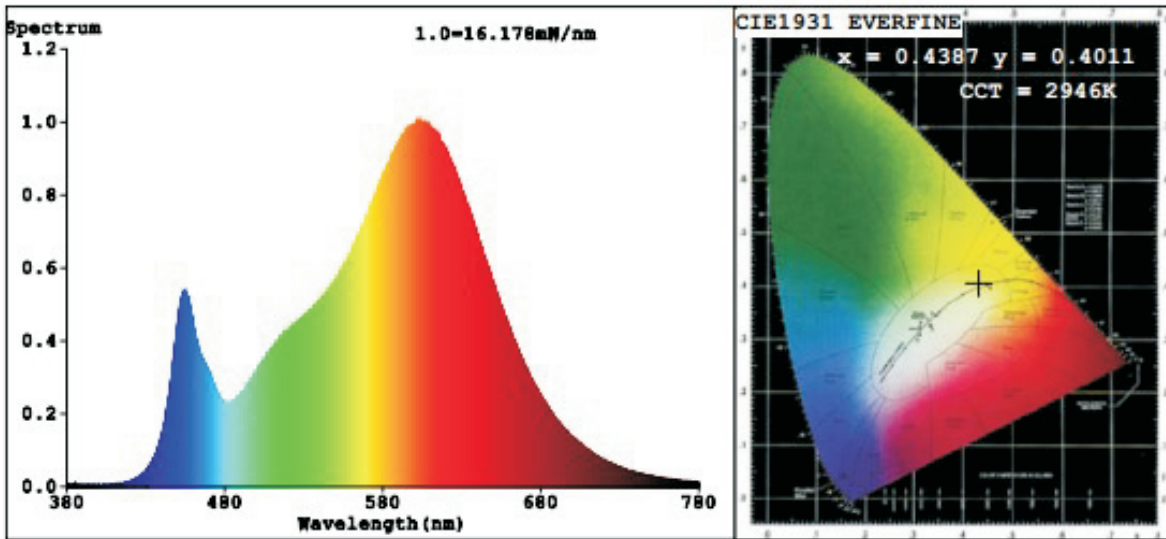
LED Commercial Downlights



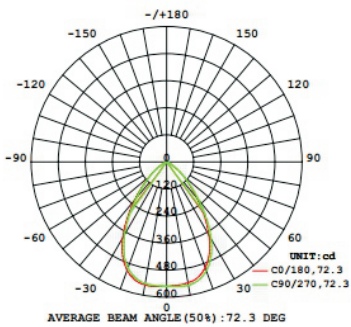
Dimension:



SPECTRAL POWER DISTRIBUTION & CHROMATICITY DIAGRAM



ZONAL LUMEN TABULATION



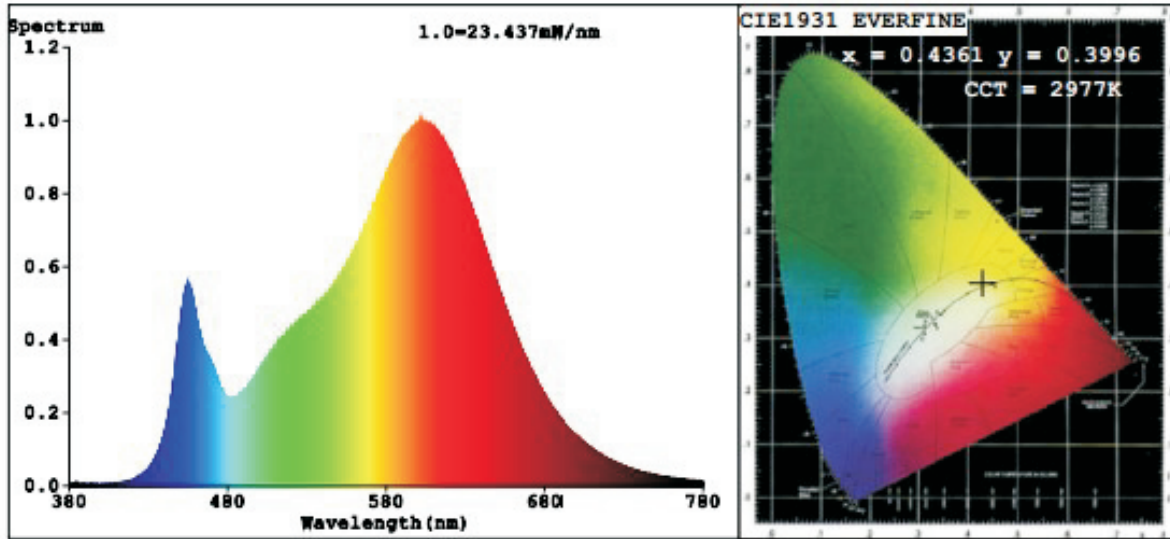
Zonal Lumen Summary		
Zone	Lumens	%Luminaire
0-30	407.4	52.9%
0-40	592.4	77%
0-60	755.8	98.2%
60-90	13.9	1.8%
70-100	2.2	0.3%
90-120	0	0%
0-90	769.8	100%
90-180	0.0	0%
0-180	769.8	100%

Lumens Per Zone					
Zone	Lumens	%Total	Zone	Lumens	%Total
0-10	51.8	6.7%	90-100	0	0%
10-20	149.2	19.4%	100-110	0	0%
20-30	206.4	26.8%	110-120	0	0%
30-40	185.0	24%	120-130	0	0%
40-50	113.5	14.7%	130-140	0	0%
50-60	50.0	6.5%	140-150	0.0	0%
60-70	11.8	1.5%	150-160	0.0	0%
70-80	1.9	0.2%	160-170	0.0	0%
80-90	0.3	0.0%	170-180	0.0	0%

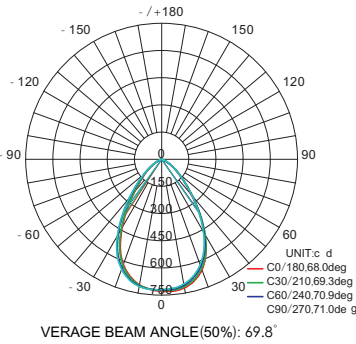
UNIT: cd

C (DEG)	0	22.5	45	67.5	90	112.5	135	157.5	180	202.5	225	247.5	270	292.5	315	337.5
0	542	542	542	542	542	542	542	542	542	542	542	542	542	542	542	542
5	547	547	547	546	546	547	547	545	542	538	535	534	536	539	543	546
10	551	549	546	544	546	549	550	549	544	536	527	524	530	539	546	550
15	542	540	534	531	535	540	541	540	535	524	511	508	517	529	538	542
20	513	512	504	501	506	510	510	509	506	495	484	481	491	502	509	514
25	462	462	456	453	456	458	457	455	454	446	438	438	445	453	460	463
30	388	389	385	383	384	384	382	380	381	376	371	372	377	384	388	390
35	302	301	298	296	298	298	297	296	298	294	290	290	295	301	305	306
40	219	216	212	210	212	215	217	217	217	212	208	209	212	218	223	226
45	148	144	140	139	140	144	147	147	148	144	141	141	145	150	153	154
50	93.2	91.0	88.1	86.9	88.5	90.9	92.0	92.4	94.9	93.6	92.3	92.8	95.2	97.5	98.2	97.6
55	53.7	52.5	51.1	50.5	51.3	52.4	53.2	53.8	55.9	56.3	56.4	56.9	57.8	58.3	57.8	56.6
60	25.8	25.0	24.3	24.0	24.5	25.0	25.3	25.8	27.7	28.3	28.9	29.4	29.7	29.6	29.0	27.9
65	9.15	8.68	8.35	8.28	8.54	8.85	8.99	9.12	11.1	11.4	11.9	12.3	12.5	12.5	12.1	11.4
70	3.54	3.34	3.33	3.37	3.51	3.69	3.46	3.28	3.37	3.42	3.57	3.73	3.88	3.95	3.87	3.66
75	1.59	1.58	1.59	1.65	1.74	1.74	1.66	1.55	1.57	1.58	1.62	1.71	1.79	1.83	1.80	1.72
80	0.63	0.63	0.65	0.69	0.72	0.72	0.68	0.62	0.64	0.64	0.66	0.70	0.74	0.75	0.72	0.67
85	0.19	0.19	0.19	0.20	0.20	0.20	0.19	0.17	0.18	0.19	0.19	0.21	0.22	0.23	0.22	0.21

SPECTRAL POWER DISTRIBUTION & CHROMATICITY DIAGRAM



ZONAL LUMEN TABULATION



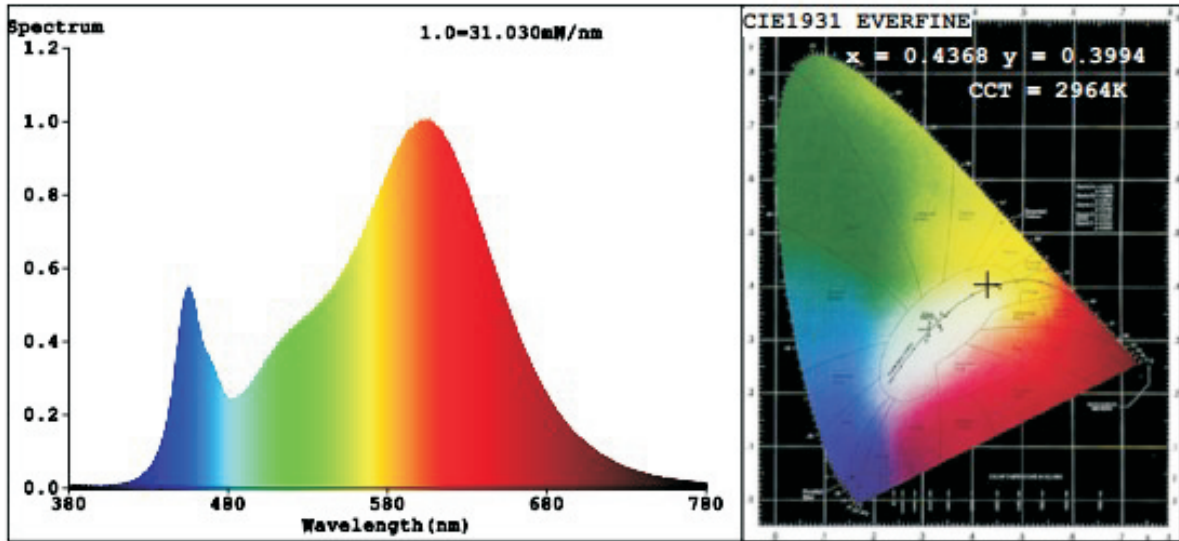
Zonal Lumen Summary		
Zone	Lumens	%Luminaire
0-30	598.7	53%
0-40	868.7	76.9%
0-60	1,109.6	98.2%
60-90	20.0	1.8%
70-100	3.0	0.3%
90-120	0	0%
0-90	1,129.6	100%
90-180	0.0	0%
0-180	1,129.6	100%

Lumens Per Zone					
Zone	Lumens	% Total	Zone	Lumens	% Total
0-10	76.8	6.8%	90-100	0	0%
10-20	220.1	19.5%	100-110	0	0%
20-30	301.8	26.7%	110-120	0	0%
30-40	270.0	23.9%	120-130	0	0%
40-50	167.2	14.8%	130-140	0	0%
50-60	73.7	6.5%	140-150	0.0	0%
60-70	17.1	1.5%	150-160	0.0	0%
70-80	2.6	0.2%	160-170	0.0	0%
80-90	0.4	0.0%	170-180	0.0	0%

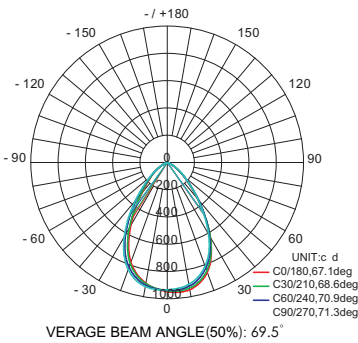
UNIT: cd

C (DEG)	0	22.5	45	67.5	90	112.5	135	157.5	180	202.5	225	247.5	270	292.5	315	337.5
0	803	803	803	803	803	803	803	803	803	803	803	803	803	803	803	803
5	799	794	792	793	798	804	809	811	813	813	812	811	810	808	808	803
10	795	782	774	776	789	802	811	816	817	816	815	813	812	810	808	803
15	775	757	744	747	765	783	795	802	805	803	801	799	798	797	794	788
20	728	710	695	698	716	734	746	755	762	761	761	759	758	755	750	743
25	649	632	620	621	636	651	664	674	686	689	690	690	687	683	674	665
30	539	524	513	514	526	539	551	563	580	586	589	589	587	579	567	556
35	416	402	392	393	402	416	429	442	458	462	465	466	465	459	448	435
40	300	287	279	279	287	300	314	324	334	337	339	340	339	337	331	320
45	206	195	188	188	195	205	213	219	226	228	229	230	231	230	227	221
50	133	127	122	122	126	131	134	137	143	144	145	147	148	147	144	141
55	77.4	74.4	72.3	72.2	73.9	75.8	77.4	79.4	83.8	85.3	86.3	87.6	88.3	87.6	85.2	82.4
60	38.1	36.6	35.3	35.5	35.9	37.3	38.0	39.0	41.3	42.7	43.8	44.7	45.0	44.4	42.7	40.6
65	12.8	12.1	11.8	11.7	12.0	12.2	12.4	12.9	14.6	15.7	16.8	17.6	17.9	17.4	16.1	14.7
70	4.39	4.19	4.20	4.33	4.49	4.54	4.45	4.49	4.87	5.25	5.55	5.79	5.93	5.75	5.29	4.76
75	1.97	1.87	1.87	1.96	2.05	2.06	2.00	1.97	2.19	2.41	2.62	2.82	2.93	2.83	2.56	2.25
80	0.79	0.73	0.74	0.78	0.82	0.82	0.79	0.77	0.86	0.97	1.12	1.27	1.34	1.29	1.11	0.94
85	0.23	0.21	0.20	0.21	0.23	0.23	0.23	0.23	0.26	0.29	0.35	0.42	0.46	0.44	0.36	0.29

SPECTRAL POWER DISTRIBUTION & CHROMATICITY DIAGRAM



ZONAL LUMEN TABULATION



Zonal Lumen Summary		
Zone	Lumens	%Luminaire
0-30	741.2	52.8%
0-40	1,078.1	76.8%
0-60	1,378.4	98.2%
60-90	25.2	1.8%
70-100	3.8	0.3%
90-120	0.0	0%
0-90	1,403.6	100%
90-180	0.0	0%
0-180	1,403.7	100%

Lumens Per Zone					
Zone	Lumens	% Total	Zone	Lumens	% Total
0-10	94.4	6.7%	90-100	0	0%
10-20	271.5	19.3%	100-110	0.0	0%
20-30	375.3	26.7%	110-120	0.0	0%
30-40	336.9	24.0%	120-130	0	0%
40-50	207.9	14.8%	130-140	0.0	0%
50-60	92.4	6.6%	140-150	0.0	0%
60-70	21.4	1.5%	150-160	0.0	0%
70-80	3.3	0.2%	160-170	0.0	0%
80-90	0.5	0.0%	170-180	0.0	0%

UNIT: cd

C (DEG)	0	22.5	45	67.5	90	112.5	135	157.5	180	202.5	225	247.5	270	292.5	315	337.5
0	987	987	987	987	987	987	987	987	987	987	987	987	987	987	987	987
5	998	1002	1004	1005	1002	997	996	990	986	980	974	973	973	977	983	989
10	1001	1009	1014	1013	1008	1001	999	992	986	975	962	957	960	968	980	990
15	984	993	998	992	987	978	976	972	966	953	935	929	937	947	960	972
20	929	938	940	935	929	924	919	914	912	901	884	879	886	898	908	920
25	836	841	843	837	833	828	825	820	822	818	807	802	809	819	828	834
30	704	707	706	701	697	692	690	685	692	689	682	682	690	697	702	706
35	551	550	548	543	540	538	535	532	538	535	533	535	542	547	552	554
40	401	398	396	391	388	386	387	386	390	390	388	390	395	398	403	406
45	270	267	263	260	257	257	259	261	267	267	267	268	272	275	278	276
50	170	167	164	162	161	161	163	165	172	171	174	176	180	181	180	177
55	100	96.8	94.1	92.3	92.2	92.6	94.3	96.3	102	106	107	110	112	112	110	107
60	48.5	45.5	43.6	42.6	42.5	43.2	44.5	46.1	50.2	52.9	55.5	57.4	58.7	58.4	56.6	53.2
65	16.2	14.7	13.8	13.5	13.7	14.2	14.8	15.6	18.0	20.0	22.1	23.6	24.3	23.8	22.0	19.3
70	5.60	5.17	5.00	5.03	5.20	5.38	5.46	5.47	5.99	6.48	7.03	7.43	7.72	7.68	7.17	6.33
75	2.62	2.39	2.27	2.29	2.40	2.50	2.53	2.53	2.72	2.98	3.27	3.59	3.81	3.79	3.47	3.02
80	1.06	0.92	0.87	0.88	0.93	0.97	0.99	0.98	1.08	1.21	1.38	1.57	1.71	1.70	1.52	1.28
85	0.30	0.26	0.23	0.23	0.24	0.26	0.28	0.29	0.33	0.38	0.44	0.51	0.56	0.57	0.50	0.39