

LED RETROFIT KIT 240W

- Adjust 180 degree, E40 E39 socket
- High Lumens LED Chips
- Efficient heat dissipation
- 5 years warranty, 50,000 hours lifespan.
- No RF interference, No flickering, No Buzzing
- Available in 100W~240W.



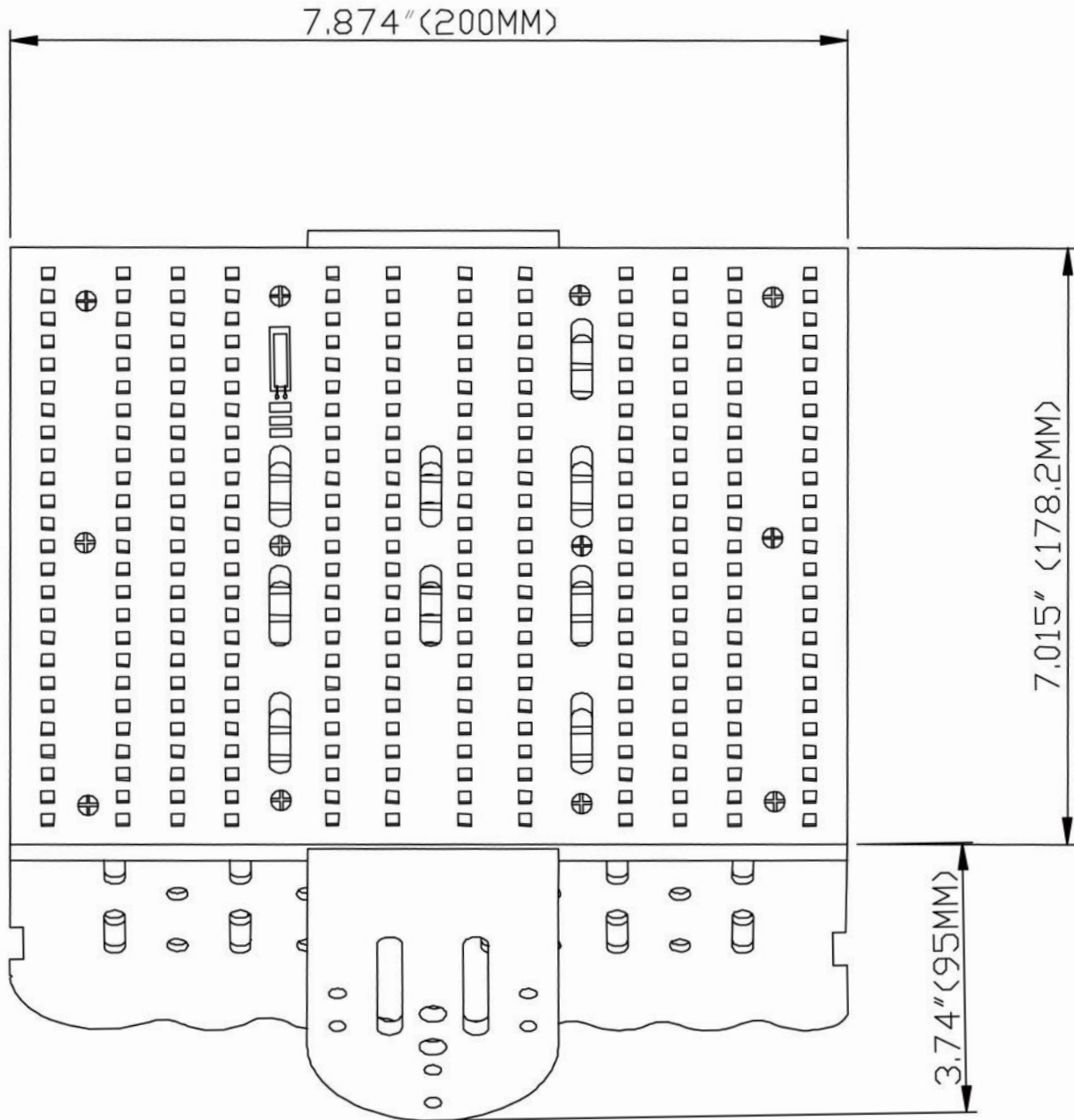
Electrical data

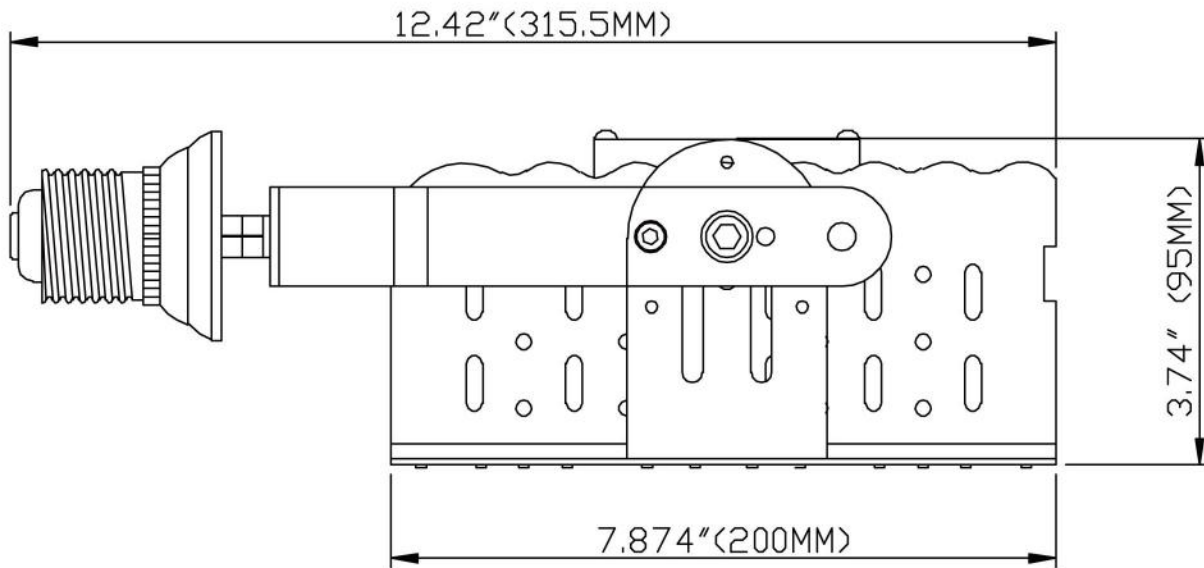
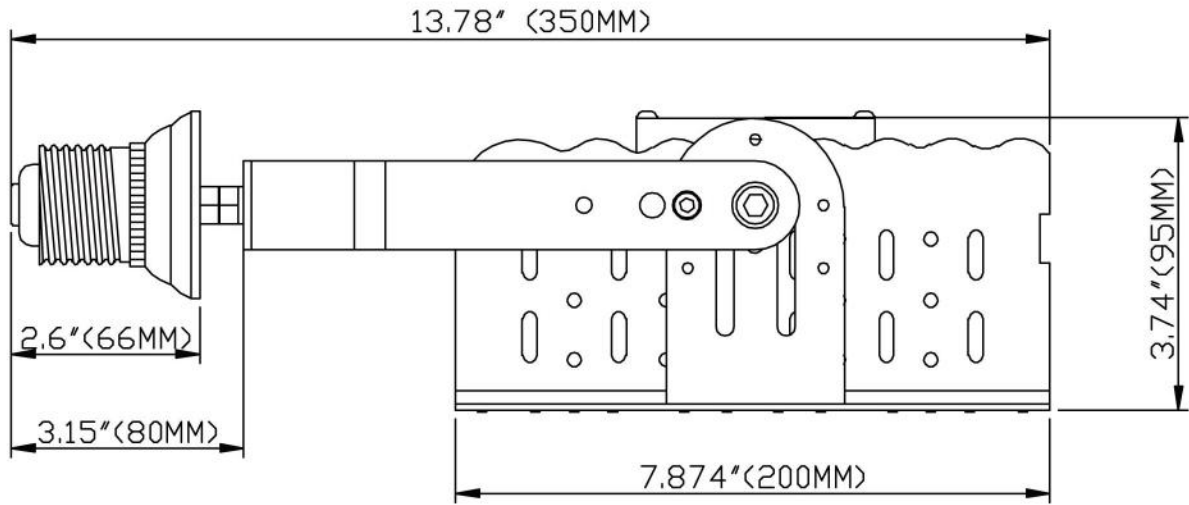
Rated wattage	240W
Input Voltage	100~277VAC(AC180~528V is available)
Operating frequency	50/60 Hz
Rated power factor λ	>0.9
Power Efficiency	>0.9
Ambient temperature	-45~45 °C
Protection grade	IP40
Material	ASA+Aluminum
Gross weight	3.378kg
Net weight	1.554kg(Lamp)

Light technical data

Beam angle	180 degree
Light Source	384pcs SMD3030
Luminous flux	30000lm
Warm White:	3,000K
Natural White:	4,000K
Day Light:	5,000K
Cool White:	5,700K
Base:	E39,E40
Color rendering index Ra:	Ra>80
Lifespan:	50,000hrs

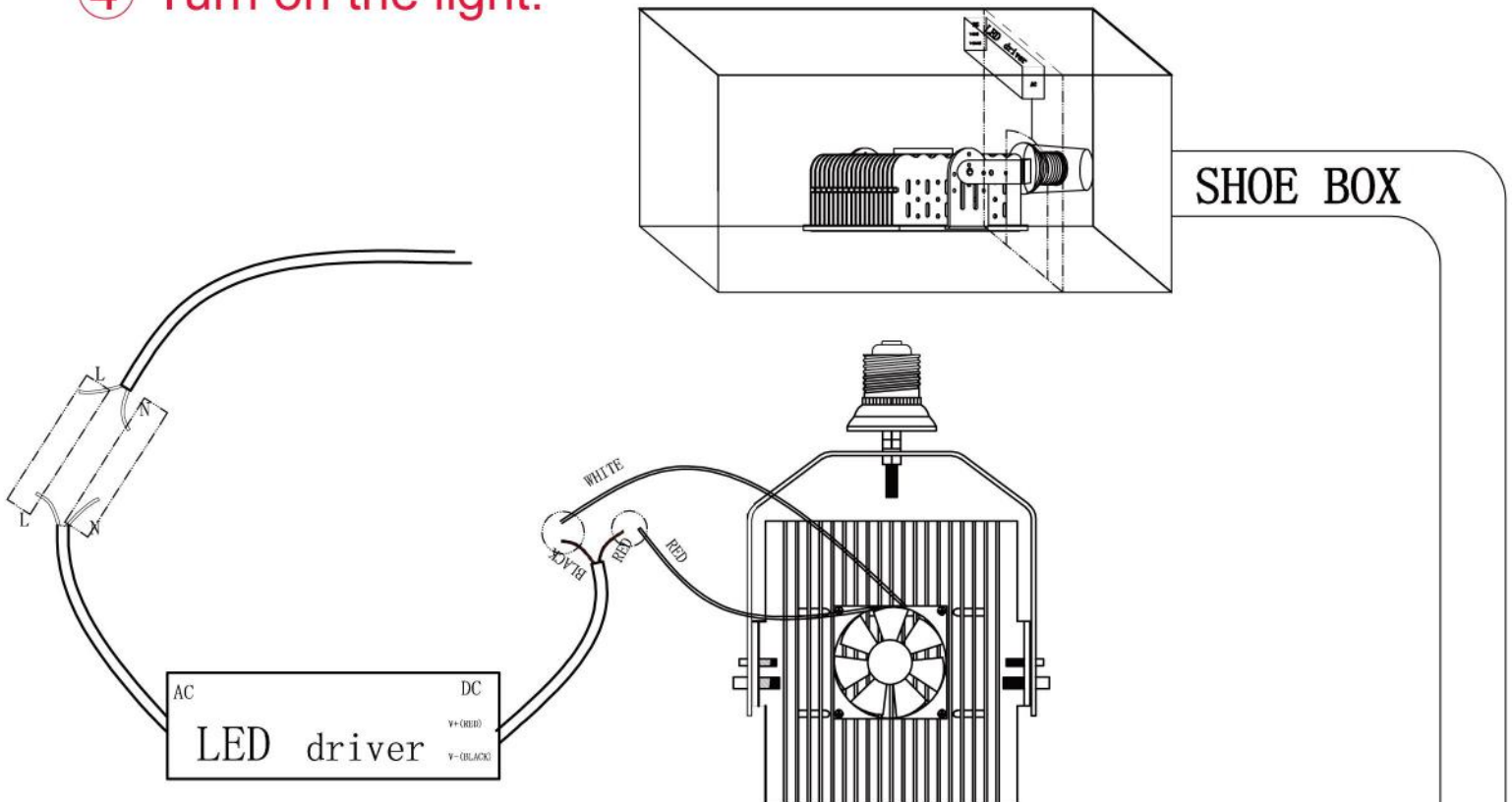
DIMENSIONS



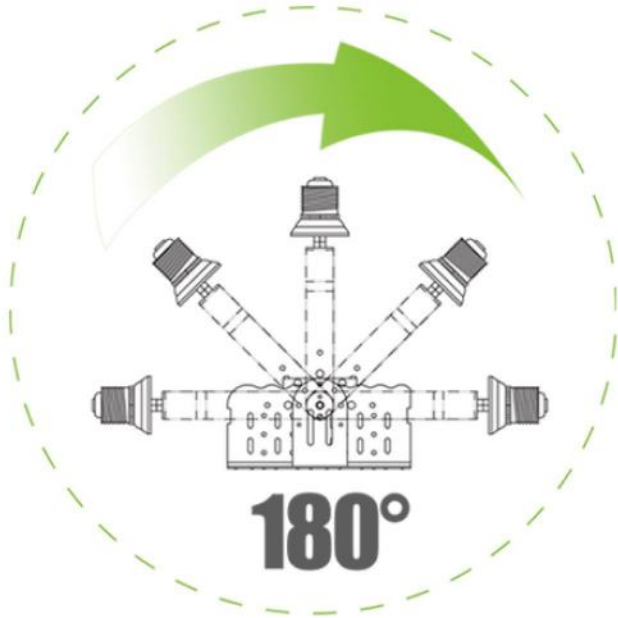


E39 E40 Retrofit kit with Meanwell driver:

- ① E39 E40 base install in fixture socket
- ② Output of Meanwell driver connect with fixture socket
Red(DC+) connect Meanwell driver red line(L),
Black(DC-) connect Meanwell driver black line(N)
- ③ Input of Meanwell driver connect 100~277VAC
Green / Yellow(E) connect PE. Brown(AC+) connect L
Blue(AC-) connect N
- ④ Turn on the light.



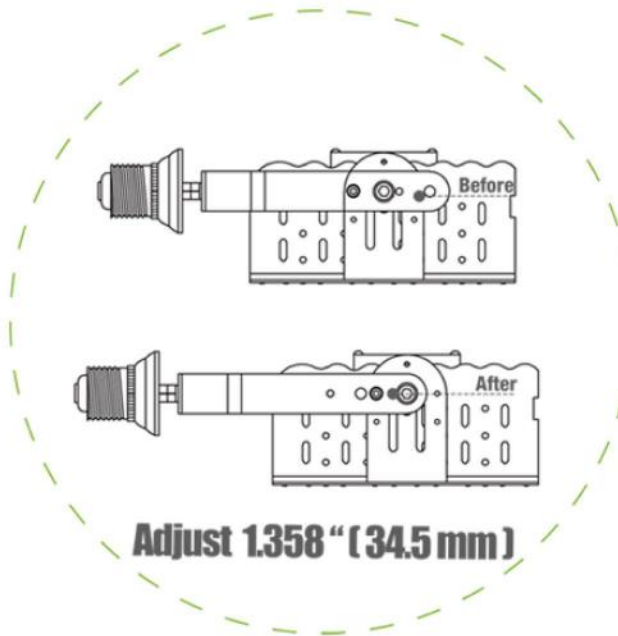
Caution: Please remove Ballast, Capacitors and Ignitor.



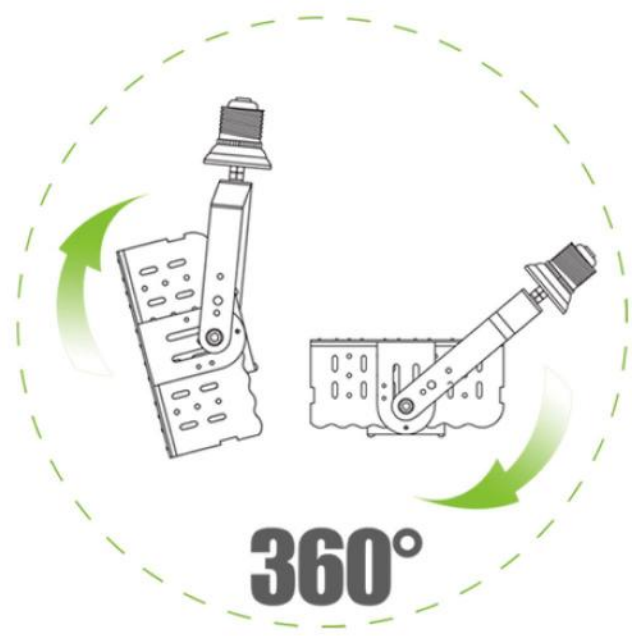
Rotable 180°



Rotable 360°



Adjust 1.358" (34.5 mm)



Rotable 360°

240W LED Retrofit Kits

Product Mark

Product Type :240W LED Retrofit Kits

Manufacturer :NO

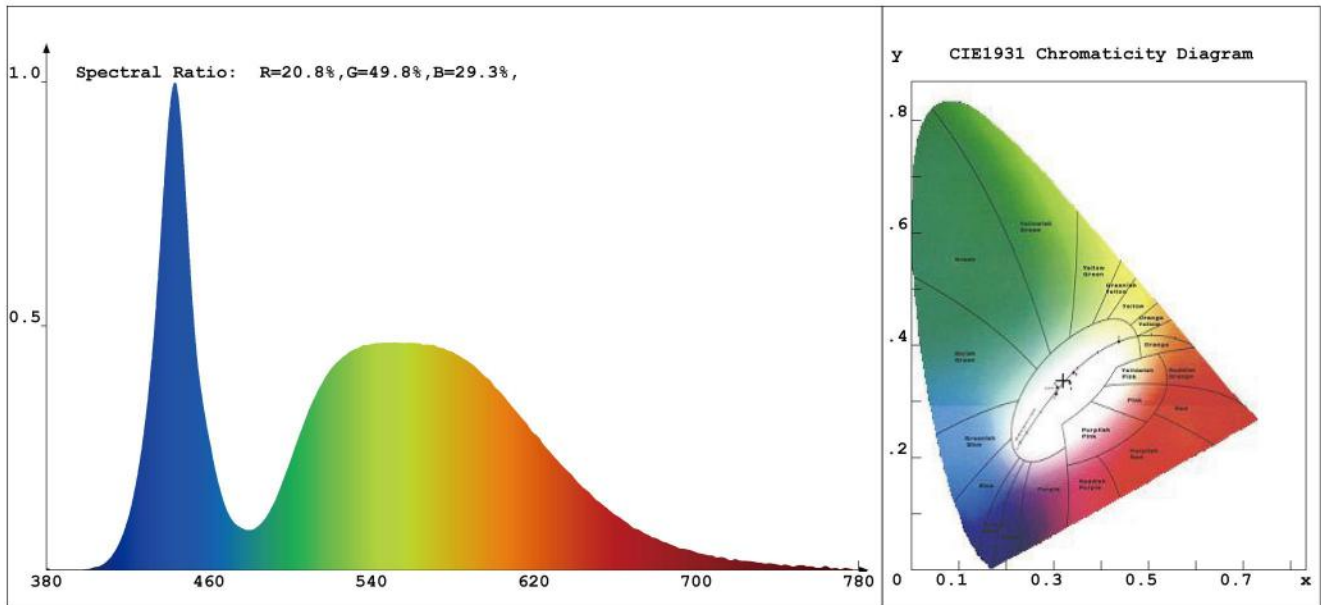
Temperature :NO

Humidity :65%

Operator :admin

Test Date :2014-11-12 09:18:02

Remark:



Chroma Parameters

Chro.Coor.:x=0.3198 y=0.3373 u=0.1996 v=0.3158 duv=0.0039

CCT: 6096K Dominant Wave.:495.5nm Purity:4.3%

Flux RGB Ratio:R=12.5%,G=85.2%,B=2.3% Peak Wave:443.5nm Half Width:19.4nm

Rendering Index:Ra= 71.2

R1 =70	R2 =73	R3 =76	R4 =73	R5 =72	R6 =67	R7 =78	R8 =60
R9 =0	R10=37	R11=74	R12=47	R13=69	R14=87	R15=64	

Photo Parameters

Flux:30000lm

Effi.:125lm/W

Radiant:53253.8mW

Ri:0.0mW/sr

Ele. Parameters

Voltage:U=220.300V

Current:I=0.7950A

Power:P=245.20W

Power Factor:PF=0.977

Instrument state

Instrument:Hopoo HP8000S

Integral Time: 1.000ms

VPeak: 14672

VDark: 1245

Scan Range: 380-780nm

Product ID: 201308416