

NGWL-60W12S

- E26, E27, E39, E40 socket available.
- 125~135Lm/W light effi.
- Aluminum PCB with heatsink design cooling fast.
- Replace MH, CFL, HPS, HID, incandescent, mercury.
- Application in Warehouse, Garden, House, park, street, commercial lighting, etc.



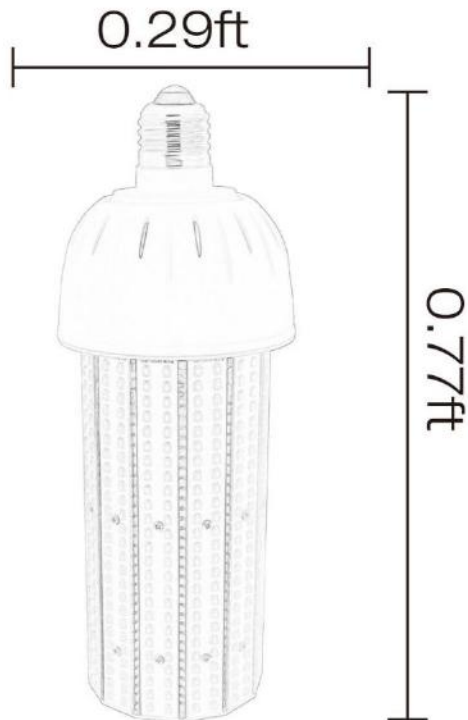
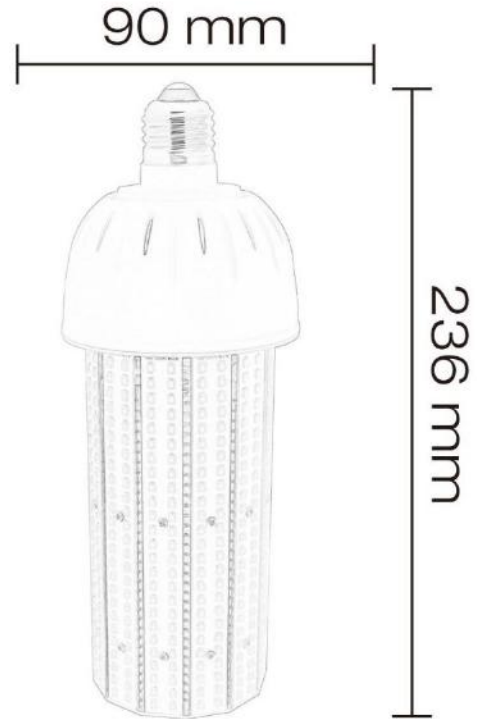
Electrical data

Rated wattage	60W
Input Voltage	85~265V(AC100-277V is available)
Operating frequency	50/60 Hz
Rated power factor λ	>0.9
Power Efficiency	>0.9
Ambient temperature	-45~45 °C
Replacement conventional lamp power	NO
Protection grade	IP40
Dimmable	NO
Material	ASA+Aluminum
Gross weight	0.72kgs
Net weight	0.70kgs

Light technical data

Beam angle	360 degree
Light Source	NO
Luminous flux	8143.06lm
Color temperature:	
Warm White:	2,800 ~ 3,200 K
NaturalWhite:	4,000 ~ 4500 K
Cool White:	6,000 ~ 6,500K
Color rendering index Ra:	Ra>80
Lifespan:	50,000hrs

DIMENSIONS

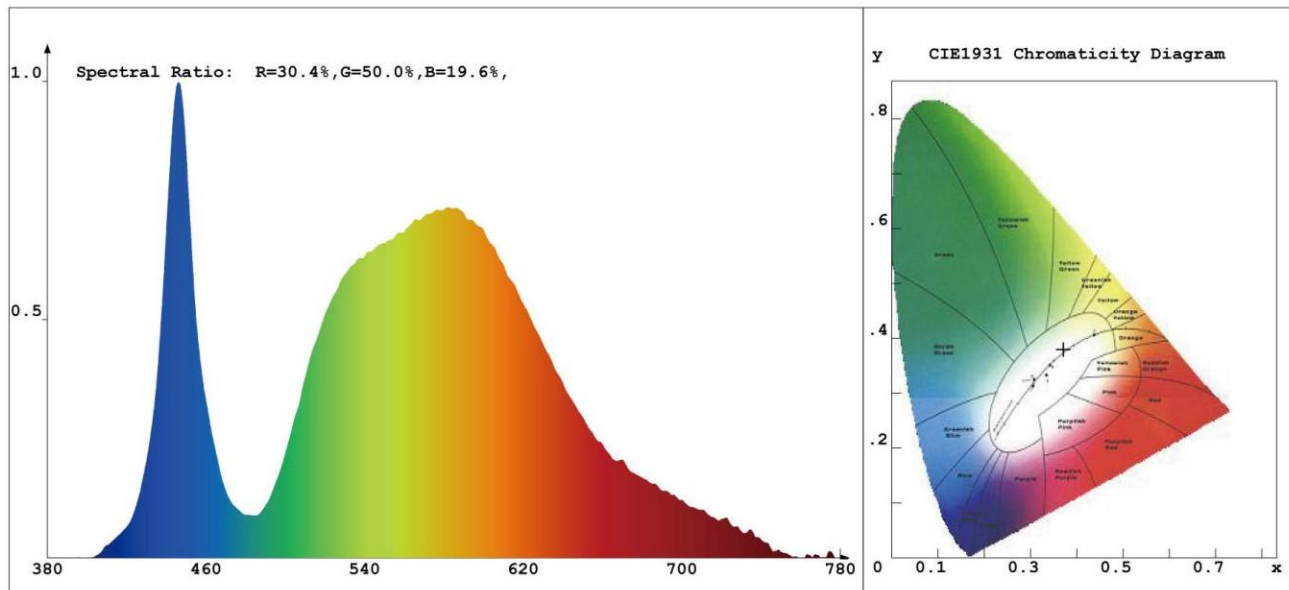


60W LED Corn Light

Product Mark

Product Type :60W LED Corn Light
 Temperature :25'C
 Operator :admin
 Remark:

Manufacturer :NO
 Humidity :65%
 Test Date :2014-09-03 17:02:24



Chroma Parameters

Chro.Coor.:x=0.3709 y=0.3796 u=0.2178 v=0.3343 duv=0.0042
 CCT: 4287K Dominant Wave.:575.5nm Purity:25.2%
 Flux RGB Ratio:R=15.7%,G=82.7%,B=1.7% Peak Wave:445.6nm Half Width:17.5nm

Rendering Index:Ra= 71.4

R1 =69	R2 =76	R3 =83	R4 =72	R5 =68	R6 =67	R7 =81	R8 =55
R9 =0	R10=44	R11=69	R12=39	R13=69	R14=90	R15=62	

Photo Parameters

Flux:8143.06lm Effi.:134.6lm/W Radiant:20906.2mW Ri:0.0mW/sr

Ele. Parameters

Voltage:U=220.400V Current:I=0.2800A
 Power:P=60.50W Power Factor:PF=0.980

Instrument state

Instrument:Hopoo HP8000S Integral Time: 1.185ms VPeak: 6066
 VDark: 1255 Scan Range: 380-780nm Product ID: 201308416

INSTALLATION

1. Remove old ballast or disconnect from existing lamp holder.
Remove and dispose of ballast in correct manner.
Shown as Figure 1. (North America 100-277 VAC)

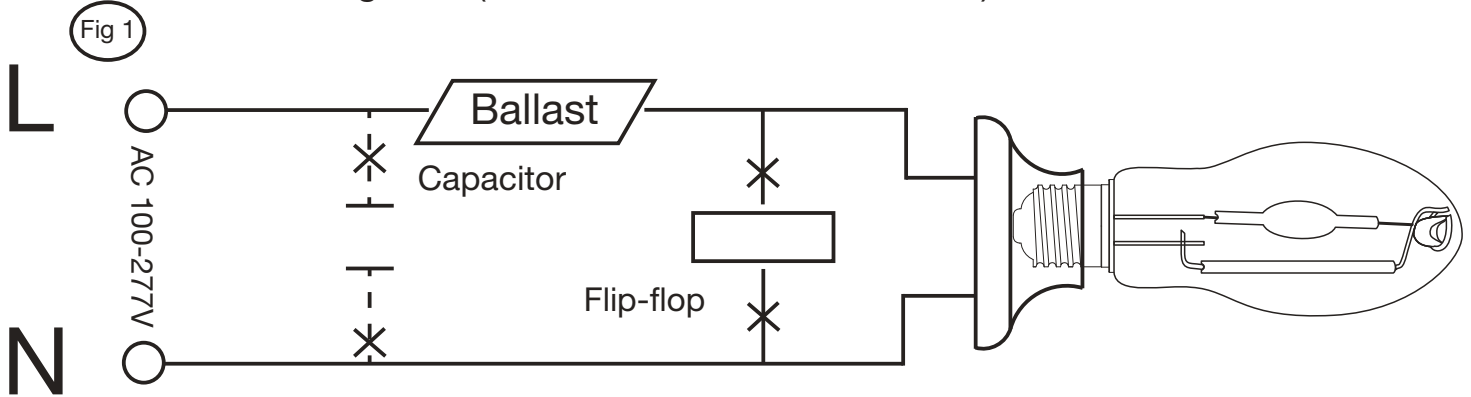


Fig 2

2. Reconnect directly to the existing lamp holder. Shown as Figure 2
(North America 100-277VAC)

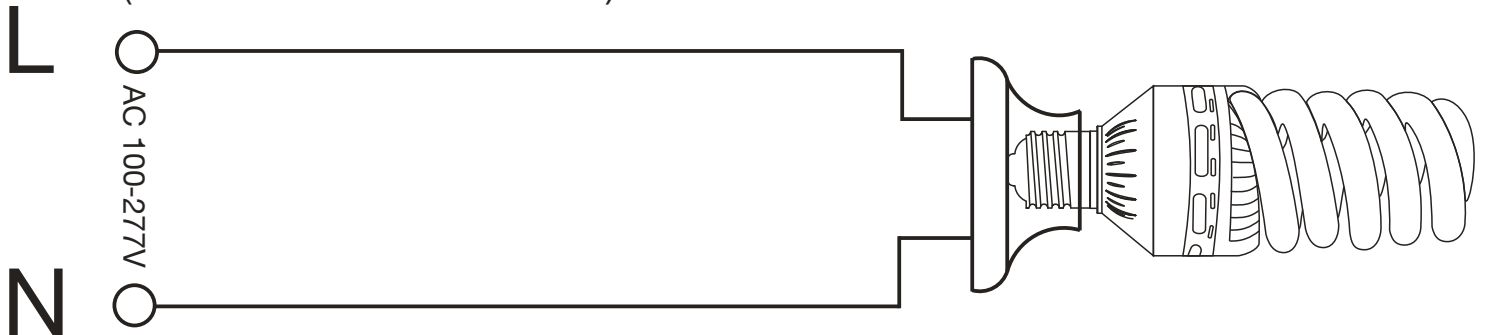


Fig 3

3. Install New LED Replacement lamp. Shown as Figure 3. Please make sure the old fitting is correctly earth. (North America 100-277VAC)

