

NGWL-40W9S

- E26, E27, E39, E40 socket available.
- 125~135Lm/W light effi.
- Aluminum PCB with heatsink design cooling fast.
- Replace MH, CFL, HPS, HID, incandescent, mercury.
- Application in Warehouse, Garden, House, park,
- street, commercial lighting, etc.



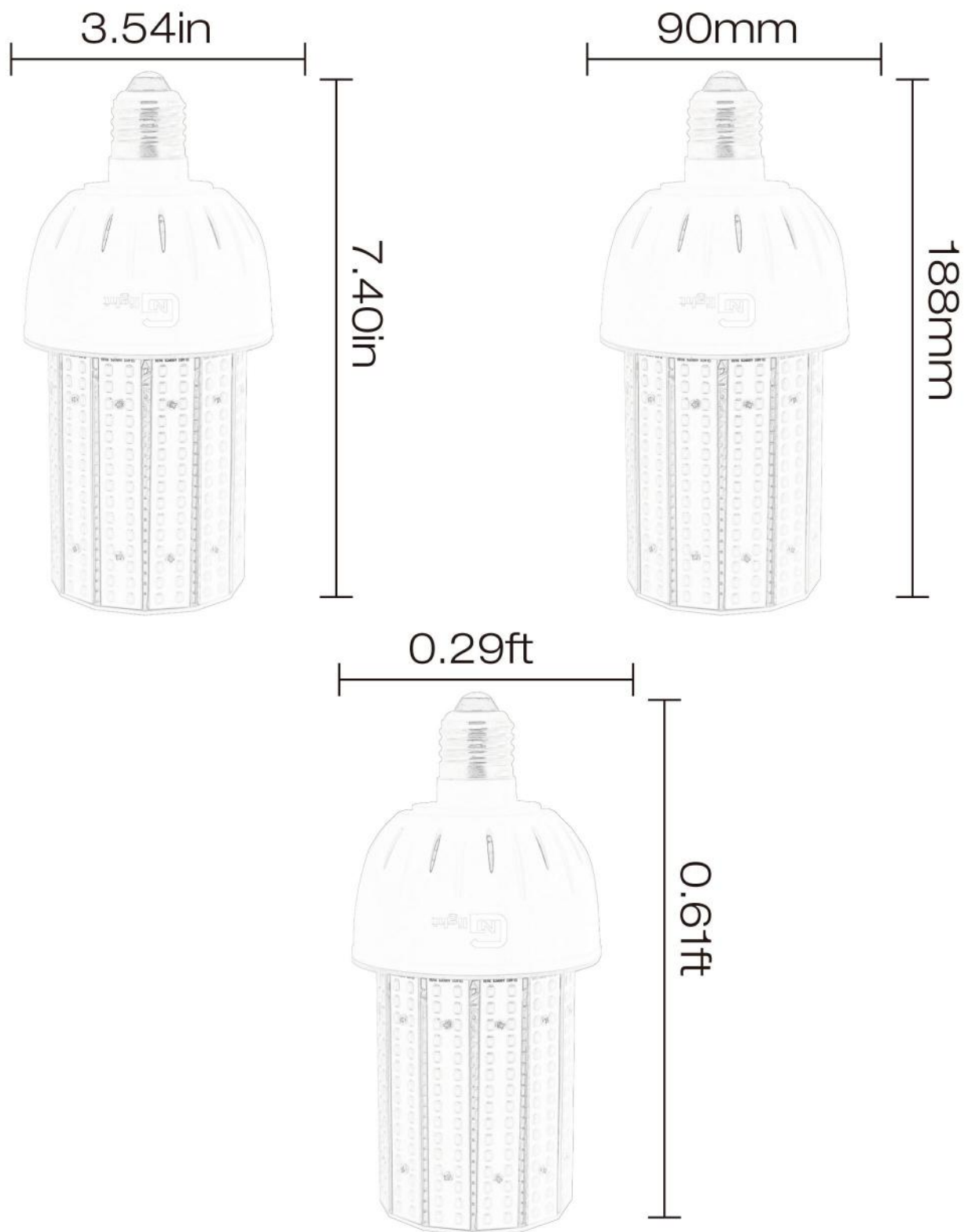
Electrical data

Rated wattage	40W
Input Voltage	AC100-277V
Operating frequency	50/60 Hz
Rated power factor λ	>0.9
Power Efficiency	>0.95
Ambient temperature	-45~45 °C
Protection grade	IP40
Material	PBT+Aluminum
Gross weight	0.46kgs
Net weight	0.41kgs

Light technical data

Beam angle	360 degree
Light Source	310pcs SMD2835
Luminous flux	5410.27lm
Warm White:	2,800 ~ 3,200 K
Natural White:	4,000 ~ 4500 K
Day Light:	5,000 ~ 5,500K
Cool White:	6,000 ~ 6,500K
PC Cover:	Milky/Transparent
Color rendering index Ra:	Ra>80
Lifespan:	50,000hrs

DIMENSIONS

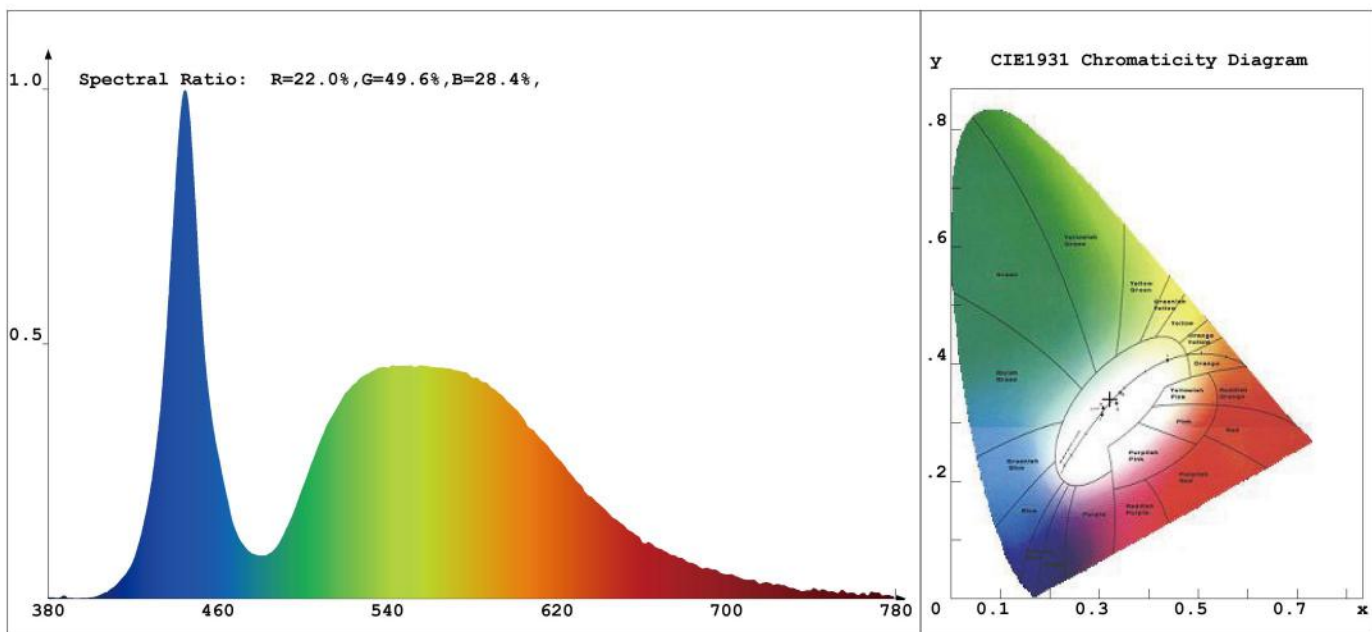


40W LED Corn Light

Product Mark

Product Type :40W LED Corn Light
 Temperature :25'C
 Operator :admin
 Remark:

Manufacturer :
 Humidity :65%
 Test Date :2014-09-03 16:58:51



Chroma Parameters

Chro.Coor.:x=0.3209 y=0.3398 u=0.1994 v=0.3168 duv=0.0047
 CCT: 6033K Dominant Wave.:498.5nm Purity:3.9%
 Flux RGB Ratio:R=12.5%,G=85.1%,B=2.4% Peak Wave:444.5nm Half Width:17.7nm

Rendering Index:Ra= 71.6

R1 =70	R2 =74	R3 =77	R4 =74	R5 =72	R6 =67	R7 =79	R8 =60
R9 =0	R10=39	R11=74	R12=46	R13=70	R14=87	R15=64	

Photo Parameters

Flux:5410.27lm Effi.:133.7lm/W Radiant:7201.7mW Ri:0.0mW/sr

Ele. Parameters

Voltage:U=220.400V Current:I=0.1910A
 Power:P=40.41W Power Factor:PF=0.956

Instrument state

Instrument:Hopoo HP8000S Integral Time: 3.883ms VPeak: 8776
 VDark: 1237 Scan Range: 380-780nm Product ID: 201308416

INSTALLATION

1. Remove old ballast or disconnect from existing lamp holder.
Remove and dispose of ballast in correct manner.
Shown as Figure 1. (North America 100-277 VAC)

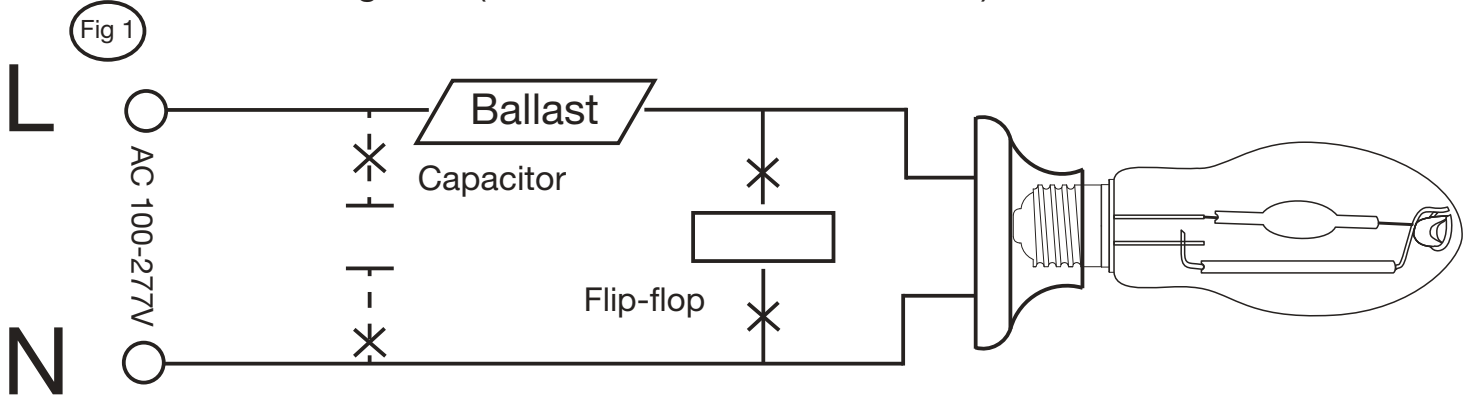


Fig 2

2. Reconnect directly to the existing lamp holder. Shown as Figure 2
(North America 100-277VAC)

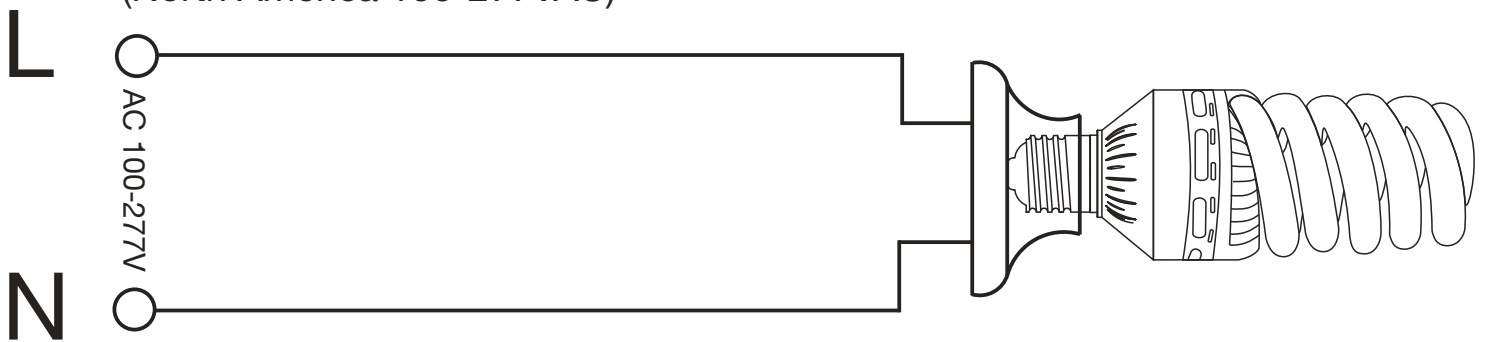


Fig 3

3. Install New LED Replacement lamp. Shown as Figure 3. Please make sure the old fitting is correctly earth. (North America 100-277VAC)

