

NGWL-250W16S

- E26,E27,E39,E40 socket available.
- 125~135Lm/W light effi.
- Aluminum PCB with heatsink design cooling fast.
- Replace MH,CFL,HPS,HID,incandescent,mercury.
- Application in Warehouse,Garden,House,park,
- street,commercial lighting,etc.



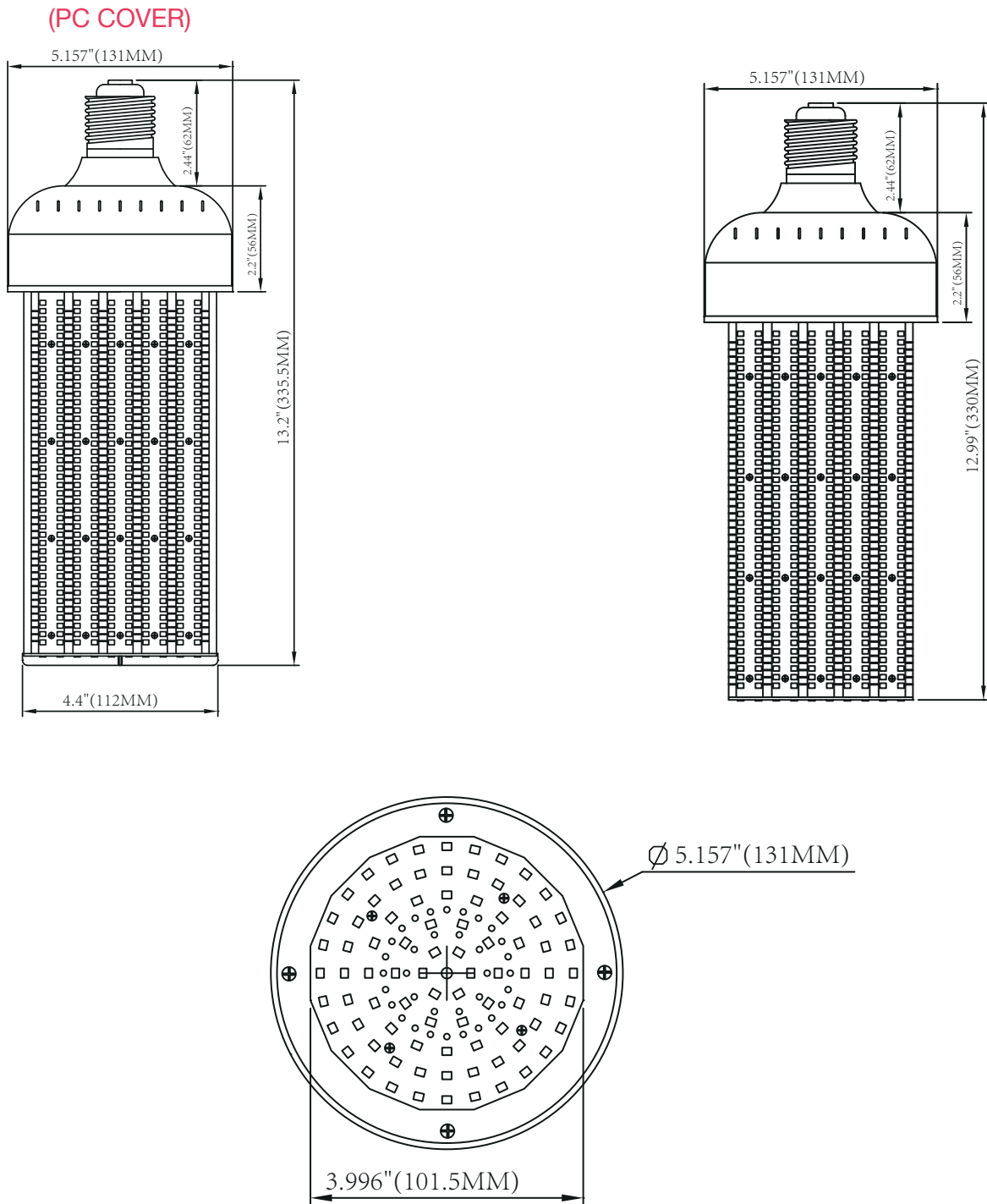
Electrical data

| | |
|------------------------------|--------------|
| Rated wattage | 250W |
| Input Voltage | AC100-277V |
| Operating frequency | 50/60 Hz |
| Rated power factor λ | >0.9 |
| Power Efficiency | >0.9 |
| Ambient temperature | -30~55 °C |
| Protection grade | IP40/IP64 |
| Material | PBT+Aluminum |
| Gross weight | 1.45kg |
| Net weight | 1.281kg |

Light technical data

| | |
|---------------------------|-------------------|
| Beam angle | 360 degree |
| Light Source | 1652pcs SMD2835 |
| Luminous flux | 34425lm |
| Warm White: | 2,800 ~ 3,200K |
| Natural White: | 4,000 ~ 4,500K |
| Day Light: | 5,000 ~ 5,500K |
| Cool White: | 6,000 ~ 6,500K |
| PC Cover: | Milky/Transparent |
| Color rendering index Ra: | Ra>80 |
| Lifespan: | 50,000hrs |

DIMENSIONS

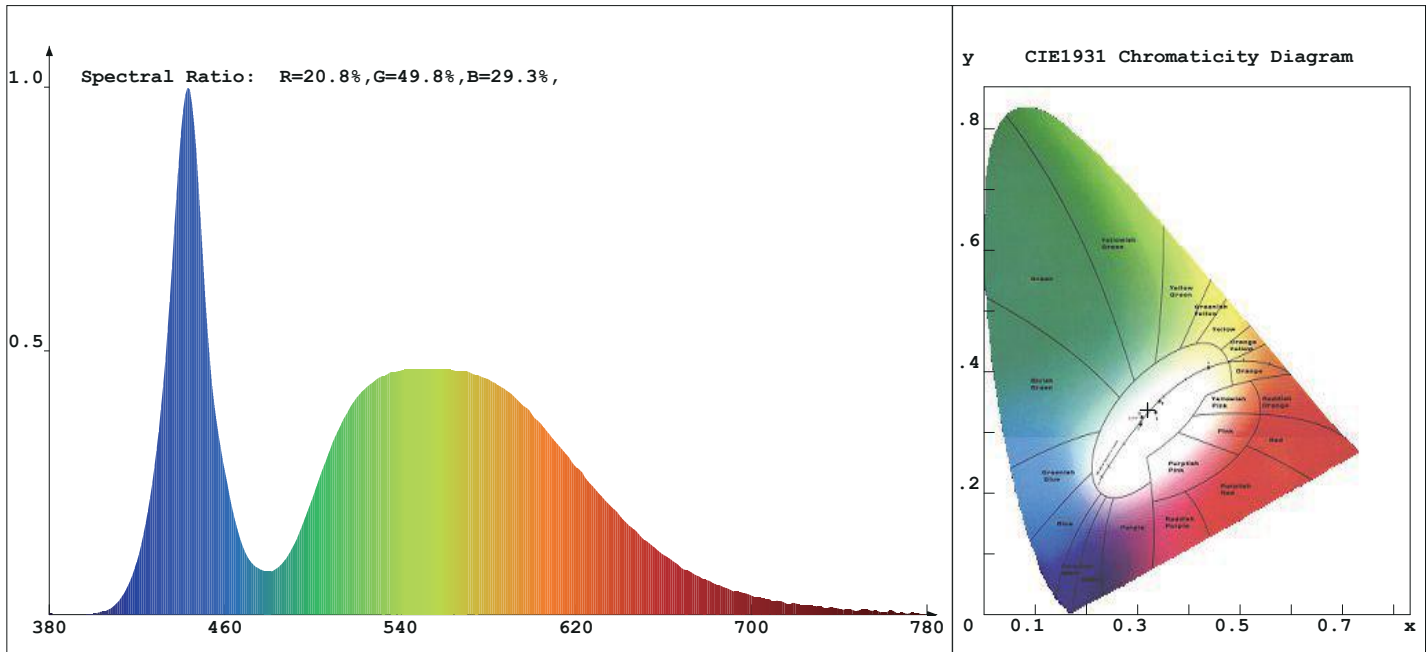


250W LED Corn Light

Product Mark

Product Type :258W LED Corn Light
 Temperature :Nuoguan'C
 Operator :admin
 Remark :

Manufacturer :Shenzhen Nuoguan Technology Co.,Ltd
 Humidity :65%
 Test Date :2014-09-12 15:18:02



Chroma Parameters

Chro.Coord.:x=0.3198 y=0.3373 u=0.1996 v=0.3158 duv=0.0039
 CCT: 6096K Dominant Wave.:495.5nm Purity:4.3%
 Flux RGB Ratio:R=12.5%,G=85.2%,B=2.3% Peak Wave:443.5nm Half Width:19.4nm

Rendering Index:Ra= 71.2

| | | | | | | | |
|--------|--------|--------|--------|--------|--------|--------|--------|
| R1 =70 | R2 =73 | R3 =76 | R4 =73 | R5 =72 | R6 =67 | R7 =78 | R8 =60 |
| R9 =0 | R10=37 | R11=74 | R12=47 | R13=69 | R14=87 | R15=64 | |

Photo Parameters

Flux:33540.20lm Effi.:130.6lm/W Radiant:53253.8mW Ri:0.0mW/sr

Ele. Parameters

Voltage:U=220.300V Current:I=0.9530A
 Power:P=258.20W Power Factor:PF=0.977

Instrument state

Instrument:Hopoo HP8000S Integral Time: 1.000ms VPeak: 14672
 VDark: 1245 Scan Range: 380-780nm Product ID: 201308416

INSTALLATION

1. Remove old ballast or disconnect from existing lamp holder.
Remove and dispose of ballast in correct manner.
Shown as Figure 1. (North America 100-277 VAC)

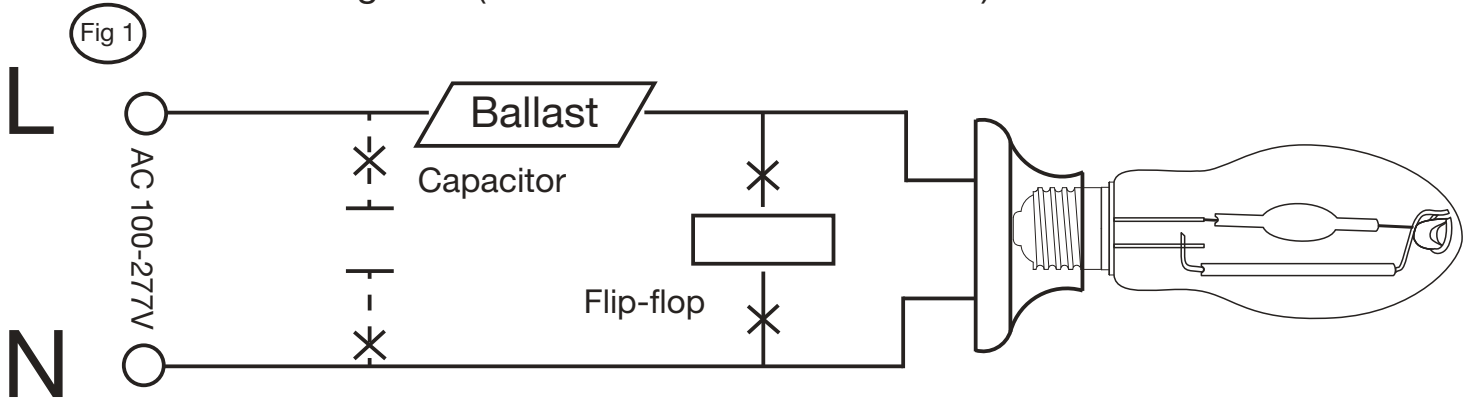


Fig 2

2. Reconnect directly to the existing lamp holder. Shown as Figure 2
(North America 100-277VAC)

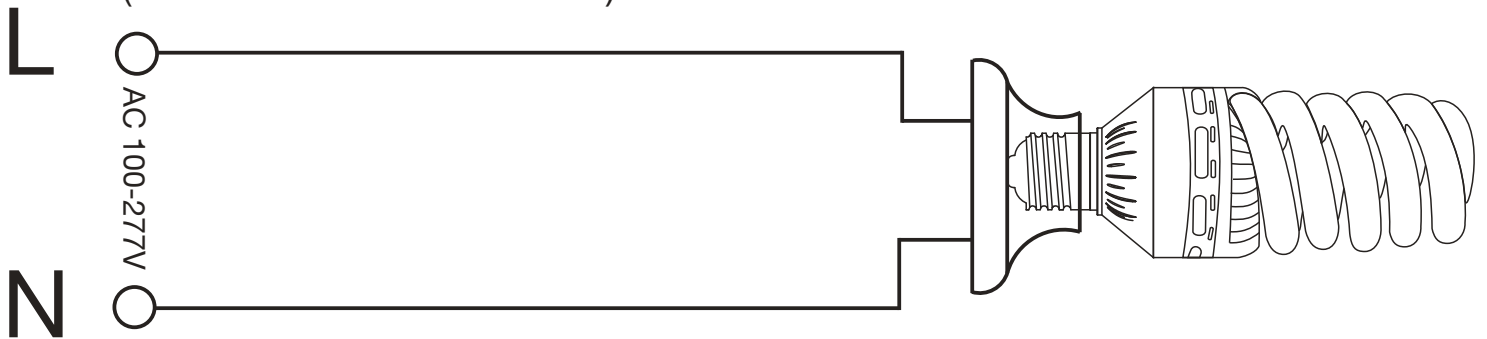


Fig 3

3. Install New LED Replacement lamp. Shown as Figure 3. Please make
sure the old fitting is correctly earth. (North America 100-277VAC)

