

NGWL-20W12S

- E26, E27, E39, E40 socket available.
- 125~135Lm/W light effi.
- Aluminum PCB with heatsink design cooling fast.
- Replace MH, CFL, HPS, HID, incandescent, mercury.
- Application in Warehouse, Garden, House, park, street, commercial lighting, etc.



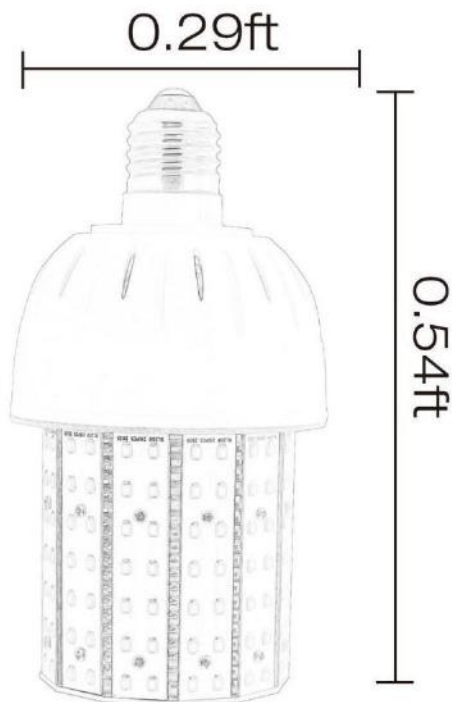
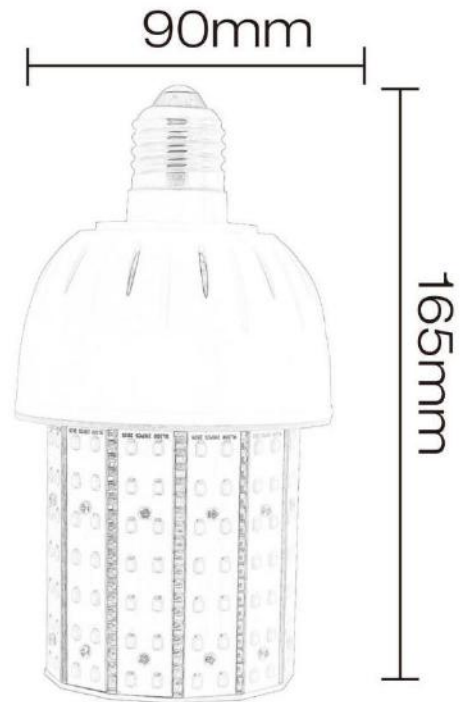
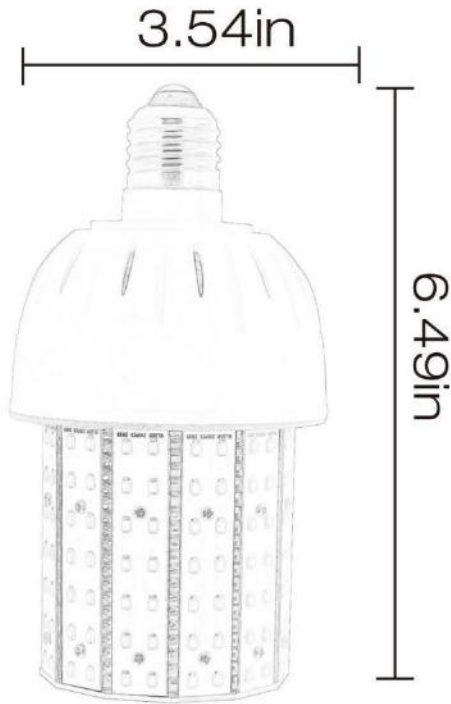
Electrical data

Rated wattage	22W
Input Voltage	85~265V(AC100-277V is available)
Operating frequency	50/60 Hz
Rated power factor λ	>0.9
Power Efficiency	>0.9
Ambient temperature	-45~45 °C
Replacement conventional lamp power	80W HPS
Protection grade	IP40
Dimmable	NO
Material	ASA+Aluminum
Gross weight	0.54kgs
Net weight	0.52kgs

Light technical data

Beam angle	360 degree
Light Source	210pcs SMD2835
Luminous flux	2953.02lm
Color temperature:	
Warm White:	2,800 ~ 3,200 K
NaturalWhite:	4,000 ~ 4500 K
Cool White:	6,000 ~ 6,500K
Color rendering index Ra:	Ra>80
Lifespan:	50,000hrs

DIMENSIONS

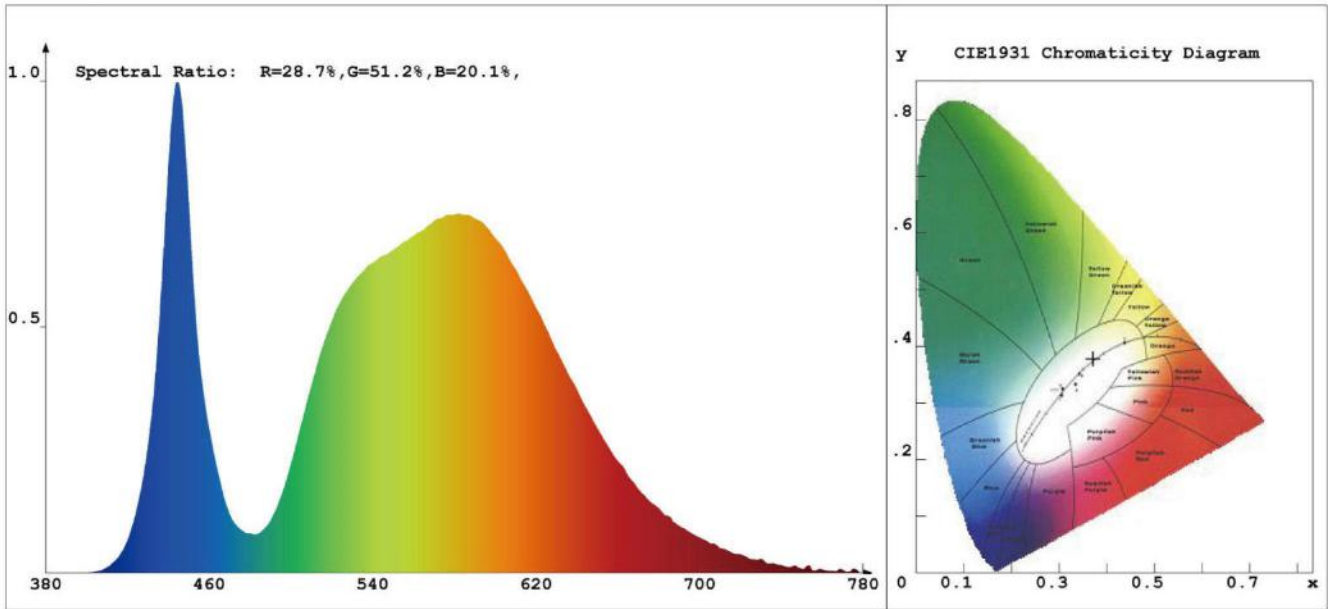


LED 20W Corn Light

Product Mark

Product Type :LED 20W Corn Light
 Temperature :25'C
 Operator :admin
 Remark:

Manufacturer :LED 20W Corn Light
 Humidity :65%
 Test Date :2014-08-25 17:02:37



Chroma Parameters

Chro.Coor.:x=0.3708 y=0.3780 u=0.2183 v=0.3338 duv=0.0035
 CCT: 4279K Dominant Wave.:575.9nm Purity:24.7%
 Flux RGB Ratio:R=15.8%,G=82.7%,B=1.6% Peak Wave:444.5nm Half Width:18.2nm

Rendering Index:Ra= 71.1

R1 =69	R2 =76	R3 =82	R4 =72	R5 =69	R6 =67	R7 =80	R8 =55
R9 =0	R10=43	R11=69	R12=40	R13=69	R14=90	R15=62	

Photo Parameters

Flux:2953.02lm Effi.:135.6lm/W Radiant:7755.0mW Ri:0.0mW/sr

Ele. Parameters

Voltage:U=220.500V Current:I=0.1020A
 Power:P=21.77W Power Factor:PF=0.960

Instrument state

Instrument:Hopoo HP8000S Integral Time: 8.682ms VPeak: 13808
 VDark: 1108 Scan Range: 380-780nm Product ID: 201308416

INSTALLATION

1. Remove old ballast or disconnect from existing lamp holder.
Remove and dispose of ballast in correct manner.
Shown as Figure 1. (North America 100-277 VAC)

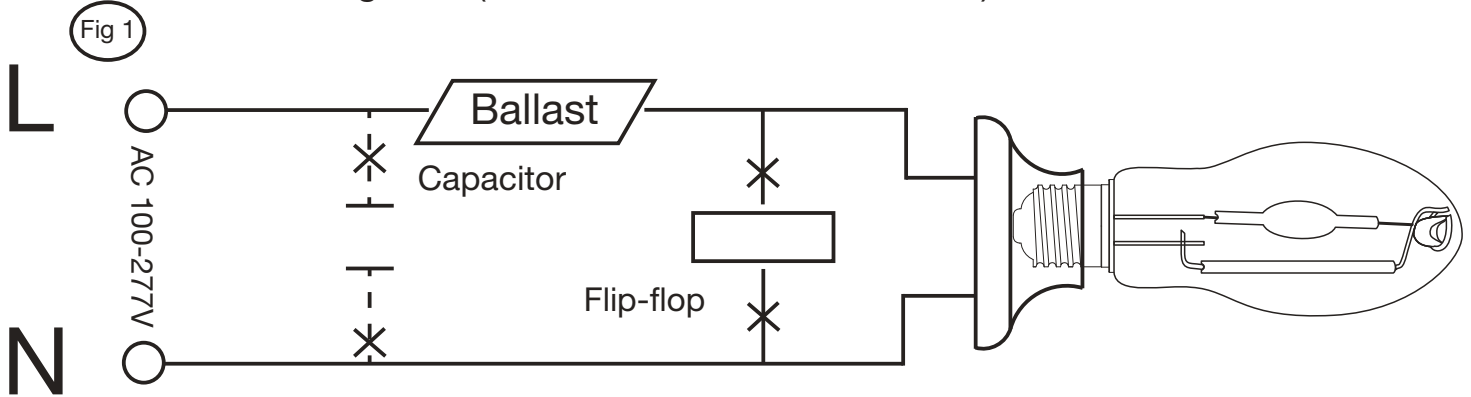


Fig 2

2. Reconnect directly to the existing lamp holder. Shown as Figure 2
(North America 100-277VAC)

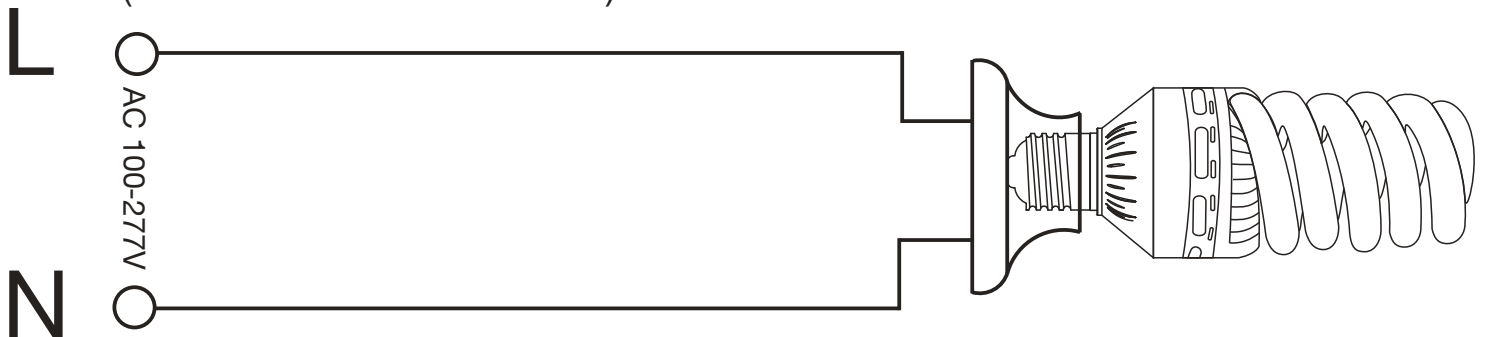


Fig 3

3. Install New LED Replacement lamp. Shown as Figure 3. Please make sure the old fitting is correctly earth. (North America 100-277VAC)

