

NGWL-200W14S

- E26, E27, E39, E40 socket available.
- 125~135Lm/W light effi.
- Aluminum PCB with heatsink design cooling fast.
- Replace MH, CFL, HPS, HID, incandescent, mercury.
- Application in Warehouse, Garden, House, park,
- street, commercial lighting, etc.



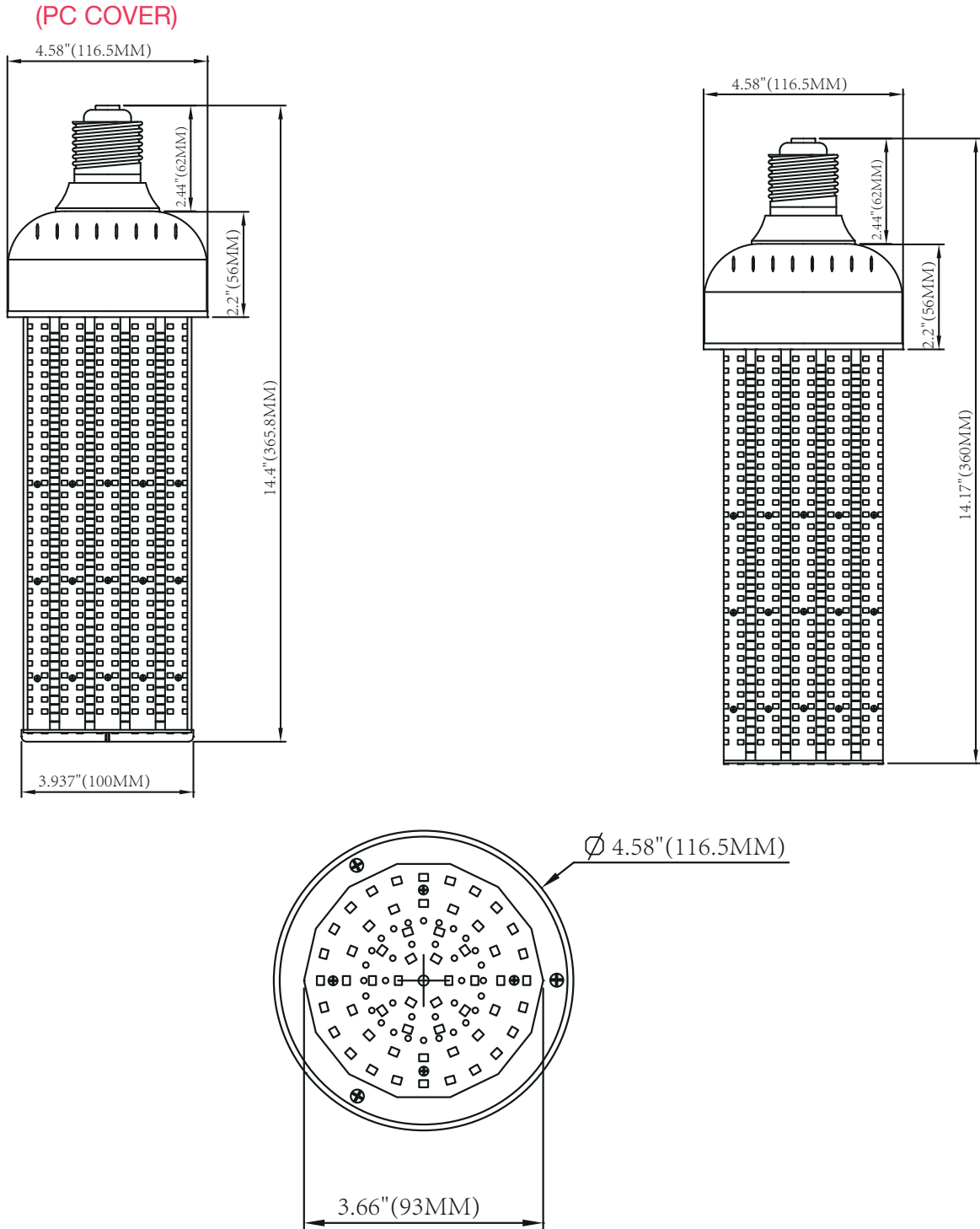
Electrical data

Rated wattage	200W
Input Voltage	AC100-277V
Operating frequency	50/60 Hz
Rated power factor λ	>0.9
Power Efficiency	>0.9
Ambient temperature	-30~55 °C
Protection grade	IP40/IP64
Material	PBT+Aluminum
Gross weight	1.334kg
Net weight	1.158kg

Light technical data

Beam angle	360 degree
Light Source	1232pcs SMD2835
Luminous flux	25625lm
Warm White:	2,800 ~ 3,200K
Natural White:	4,000 ~ 4,500K
Day Light:	5,000 ~ 5,500K
Cool White:	6,000 ~ 6,500K
PC Cover:	Milky/Transparent
Color rendering index Ra:	Ra>80
Lifespan:	50,000hrs

DIMENSIONS

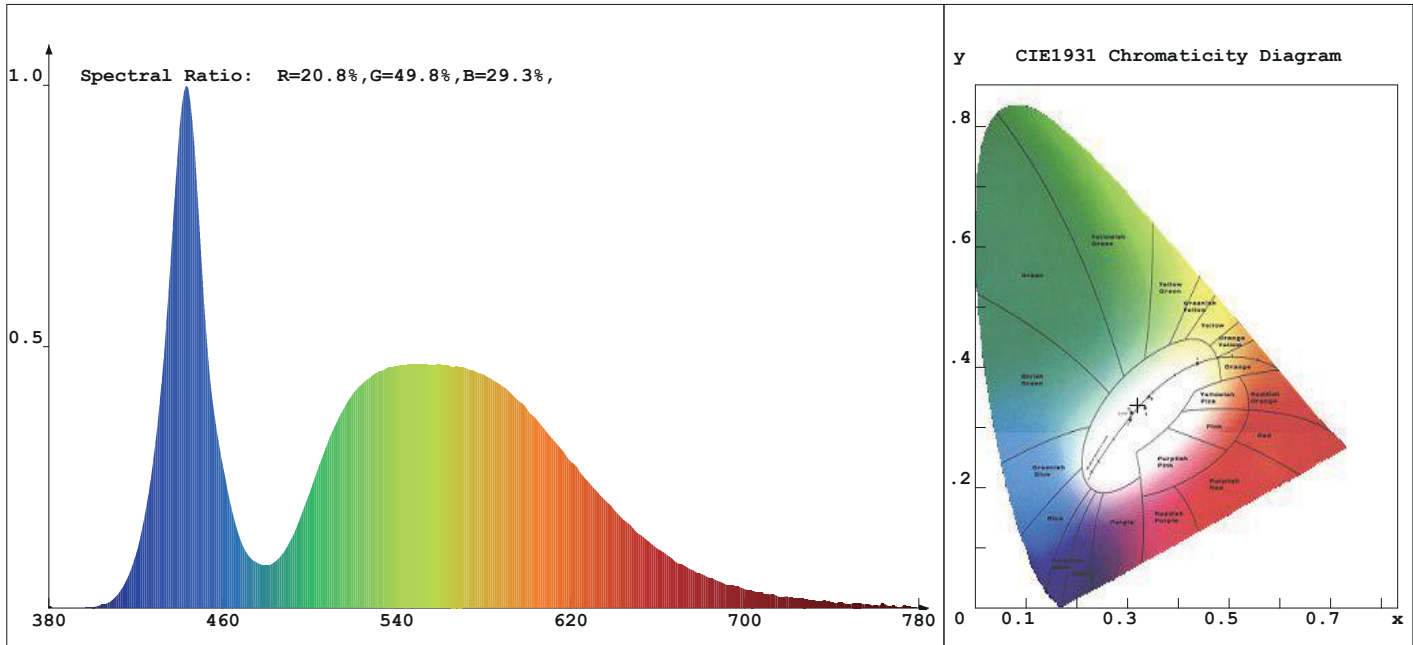


205W LED Corn Light

Product Mark

Product Type :205W LED Corn Light
 Temperature :Nuoguan'C
 Operator :admin
 Remark:

Manufacturer :Shenzhen Nuoguan Technology Co.,Ltd
 Humidity :65%
 Test Date :2014-09-12 15:18:02



Chroma Parameters

Chro.Coord.:x=0.3198 y=0.3373 u=0.1996 v=0.3158 duv=0.0039
 CCT: 6096K Dominant Wave.:495.5nm Purity:4.3%
 Flux RGB Ratio:R=12.5%,G=85.2%,B=2.3% Peak Wave:443.5nm Half Width:19.4nm

Rendering Index:Ra= 71.2

R1 =70	R2 =73	R3 =76	R4 =73	R5 =72	R6 =67	R7 =78	R8 =60
R9 =0	R10=37	R11=74	R12=47	R13=69	R14=87	R15=64	

Photo Parameters

Flux:25625.80lm Effi.:125.5lm/W Radiant:53253.8mW Ri:0.0mW/sr

Ele. Parameters

Voltage:U=220.300V Current:I=0.9530A
 Power:P=205.20W Power Factor:PF=0.977

Instrument state

Instrument:Hopoo HP8000S Integral Time: 1.000ms VPeak: 14672
 VDark: 1245 Scan Range: 380-780nm Product ID: 201308416

INSTALLATION

1. Remove old ballast or disconnect from existing lamp holder.
Remove and dispose of ballast in correct manner.
Shown as Figure 1. (North America 100-277 VAC)

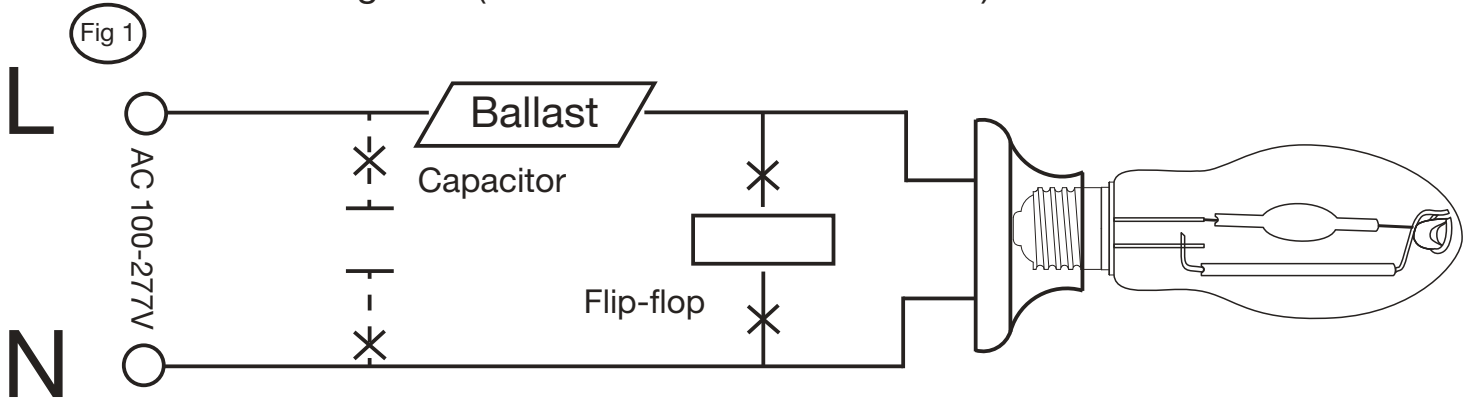


Fig 2

2. Reconnect directly to the existing lamp holder. Shown as Figure 2
(North America 100-277VAC)

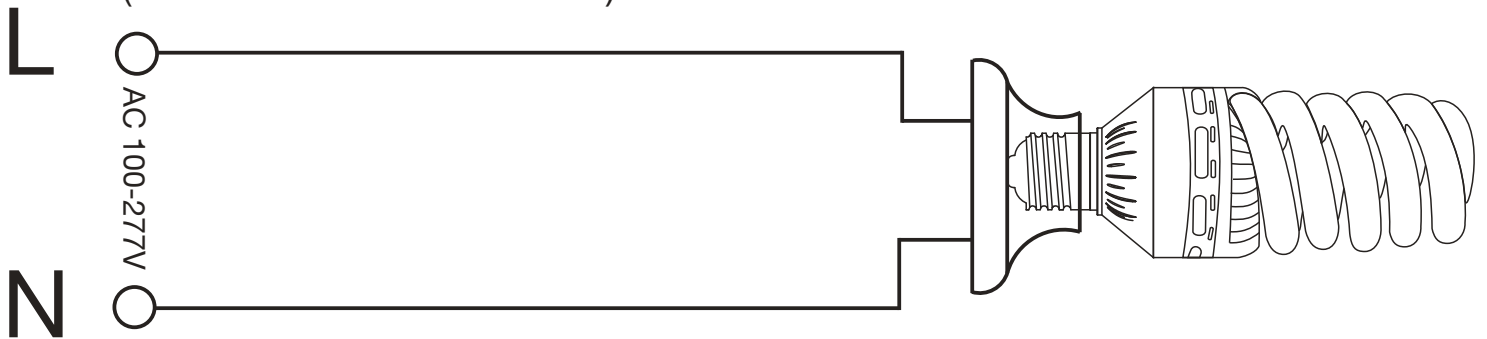


Fig 3

3. Install New LED Replacement lamp. Shown as Figure 3. Please make sure the old fitting is correctly earth. (North America 100-277VAC)

