

NGWL-160W14S

- E26, E27, E39, E40 socket available.
- 125~135Lm/W light effi.
- Aluminum PCB with heatsink design cooling fast.
- Replace MH, CFL, HPS, HID, incandescent, mercury.
- Application in Warehouse, Garden, House, park,
- street, commercial lighting, etc.



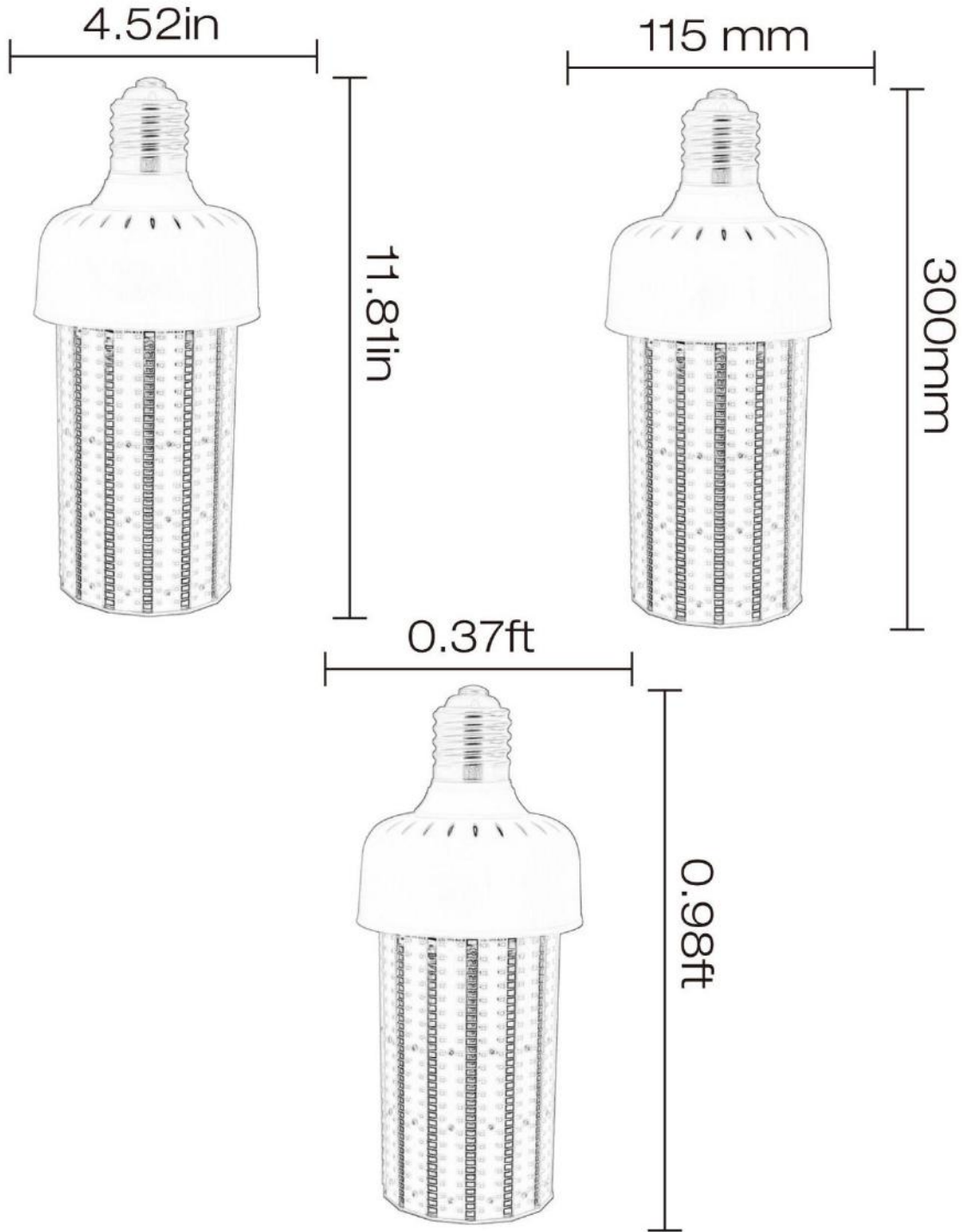
Electrical data

Rated wattage	120W
Input Voltage	85~265V(AC100-277V is available)
Operating frequency	50/60 Hz
Rated power factor λ	>0.9
Power Efficiency	>0.9
Ambient temperature	-45~45 °C
Replacement conventional lamp power	NO
Protection grade	IP40
Dimmable	NO
Material	ASA+Aluminum
Gross weight	1.20kgs
Net weight	1.17kgs

Light technical data

Beam angle	360 degree
Light Source	NO
Luminous flux	15317.67lm
Color temperature:	
Warm White:	2,800 ~ 3,200 K
NaturalWhite:	4,000 ~ 4500 K
Cool White:	6,000 ~ 6,500K
Color rendering index Ra:	Ra>80
Lifespan:	50,000hrs

DIMENSIONS

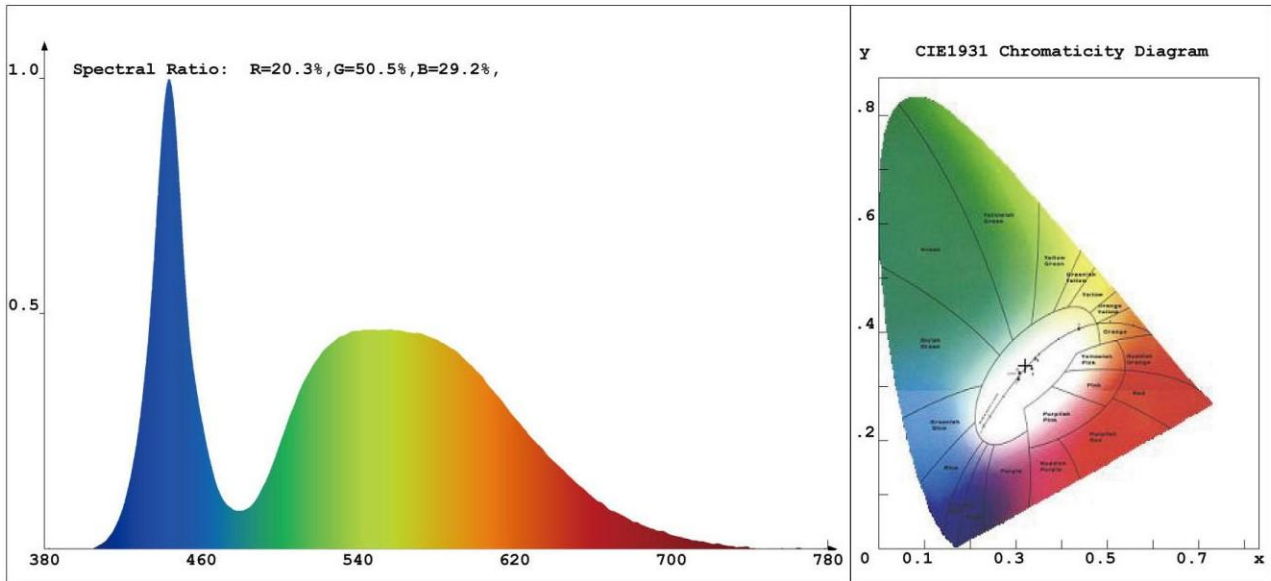


120W LED Corn Light

Product Mark

Product Type :120W LED Corn Light
 Temperature :Nuoguan'C
 Operator :admin
 Remark:

Manufacturer :NO
 Humidity :65%
 Test Date :2014-09-12 14:51:50



Chroma Parameters

Chro.Coord.:x=0.3201 y=0.3384 u=0.1994 v=0.3162 duv=0.0043
 CCT: 6075K Dominant Wave.:496.7nm Purity:4.2%
 Flux RGB Ratio:R=12.5%,G=85.2%,B=2.4% Peak Wave:443.5nm Half Width:19.1nm

Rendering Index:Ra= 71.0

R1 =70 R2 =73 R3 =77 R4 =73 R5 =72 R6 =66 R7 =78 R8 =59
 R9 =0 R10=38 R11=74 R12=47 R13=69 R14=87 R15=63

Photo Parameters

Flux:15317.67lm Effi.:129.4lm/W Radiant:43429.0mW Ri:0.0mW/sr

Ele. Parameters

Voltage:U=220.300V Current:I=0.5490A
 Power:P=118.40W Power Factor:PF=0.979

Instrument state

Instrument:Hopoo HP8000S Integral Time: 1.237ms VPeak: 15130
 VDark: 1236 Scan Range: 380-780nm Product ID: 201308416

INSTALLATION

1. Remove old ballast or disconnect from existing lamp holder.
Remove and dispose of ballast in correct manner.
Shown as Figure 1. (North America 100-277 VAC)

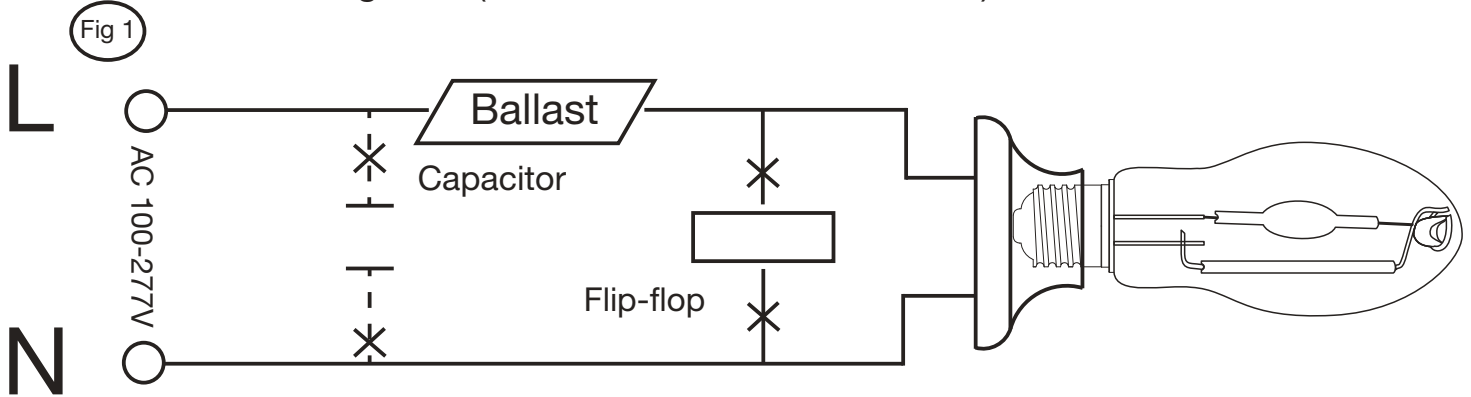


Fig 2

2. Reconnect directly to the existing lamp holder. Shown as Figure 2
(North America 100-277VAC)

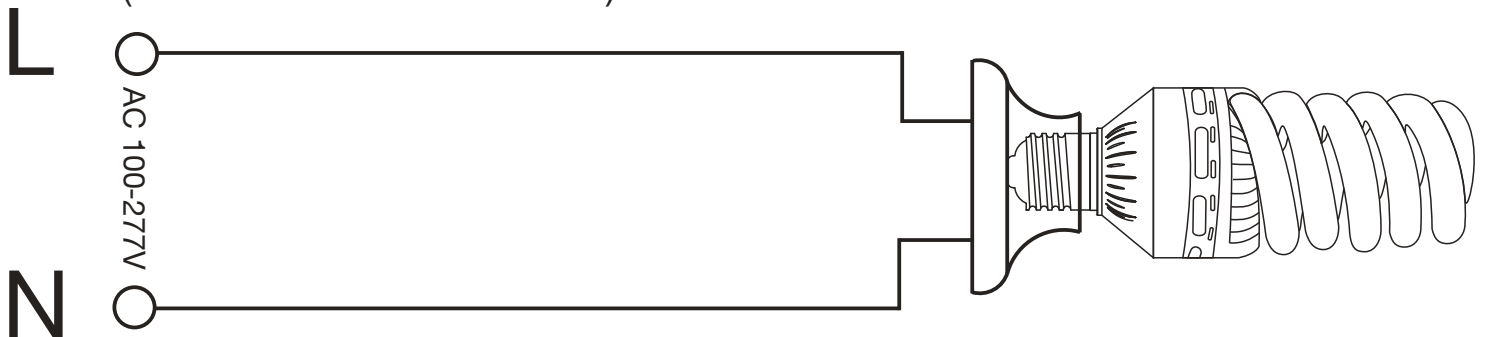


Fig 3

3. Install New LED Replacement lamp. Shown as Figure 3. Please make sure the old fitting is correctly earth. (North America 100-277VAC)

